



# TWV Series

## Infrared Wavelength Tunable DPSS Laser

Data Sheet

---

### Overview

The TWV series is a family of infrared continuous-wave wavelength tunable lasers with a tuning range from 2916nm to 3918nm and linewidths of <2 nm. The TWV series is widely used in remote sensing, communication, spectrum analysis, and many other applications.

### Features

- Tunable from 2916nm to 3918nm (model dependent)
- CW operating mode
- Optical output power up to 400mW
- Spectral linewidth <2nm

### Applications

- Remote sensing
- Communication
- Spectrum analysis
- Spectroscopy
- Medical

**2916-3918 nm Specifications**

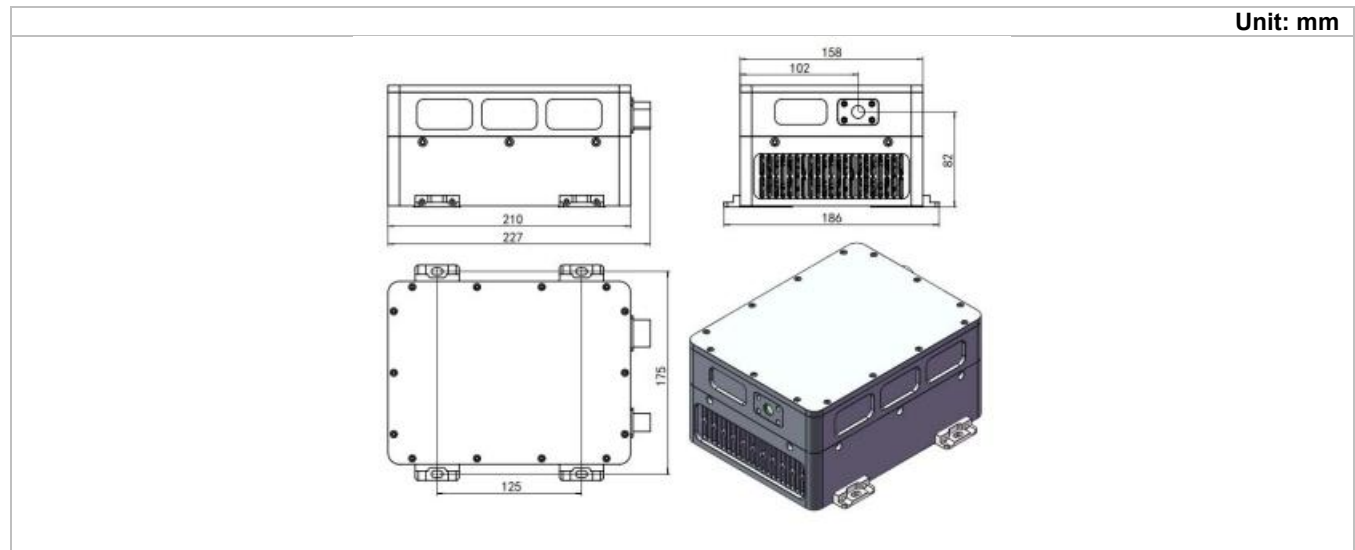
Parameter	TWV2954	TWV3100	TWV3484	TWV3702	TWV3867
Wavelength	2916-2992 nm	3000-3200 nm	3393-3575 nm	3619-3784 nm	3815-3918 nm
Wavelength deviation	±5				
Operating mode	CW				
Average power <sup>(1)</sup>	1-400 mW	1-200 mW	1-300 mW	1-100 mW	1-100 mW
Power stability (rms, over 4 hours±3°C)	<5%, <3%				
Beam diameter at aperture (1/e <sup>2</sup> )	<6 mm	<6 mm	<7 mm	<7 mm	<8 mm
Beam divergence, full angle	<5 mrad	<5 mrad	<5 mrad	<5 mrad	<8 mrad
Warm-up time	<10 min				
Cooled method	Air cooled				
Operating temperature	15-35°C				
Expected lifetime	>10,000 hours				

Remarks:

1. Any output power level can be selected within this range.
2. Specifications of the CW laser are based on the laser performance at full power output after the specified warmup period. The stability of output power may change when output power is adjusted at a different power level.
3. Specifications are subject to change without notice.

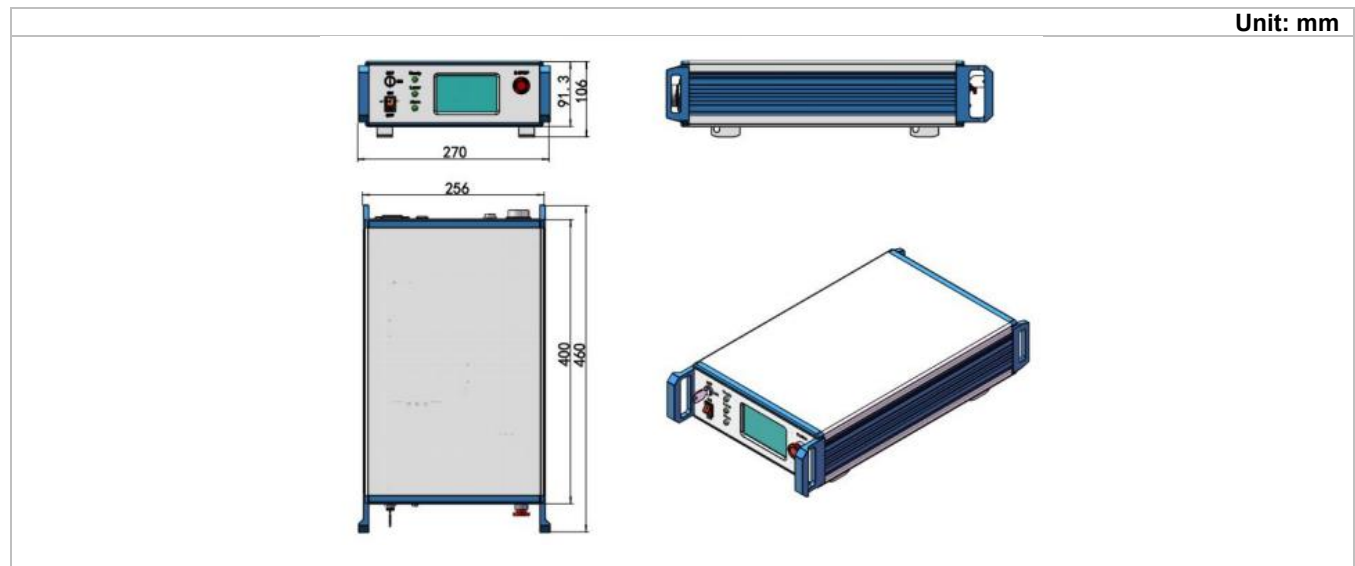


**TWV Series Laser Head Dimensions**



Parameter	TWV Series
Dimensions	229(L)×186(W)×105(H) mm <sup>3</sup>
Weight	5.5 kg
Beam height from base plate	82 mm
Beam exit (from side)	102 mm

**TWV Series Power Supply Dimensions**



Parameter	TR1 Power Supply
Dimensions	460(L)×270(W)×106(H) mm <sup>3</sup>
Weight	7 kg
Input voltage	100-240 VAC

### Ordering Information

For more information, please contact Lasermate directly at [sales@lasermate.com](mailto:sales@lasermate.com).

Part Number Configuration TWV[1][2][3]			
TWV = Laser Model Series	[1] = Wavelength Tuning Range	[2] = Output Power	[3] = Power Stability
	2954=2916-2992 nm 3100=3000-3200 nm 3484=3393-3575 nm 3702=3619-3784 nm 3867=3815-3918 nm		A=<5% E=<3%

Note: The above specifications are subject to change without notice.

