



RST-M85A306

1.25Gbps High Speed GaAs PIN Photodiode in ST Receptacle

Overview

The Lasermate RST-M85A306 is a high speed, low dark current and low capacitance, GaAs photodiode in ST receptacle designed for use in fiber optic data communication applications.



Features

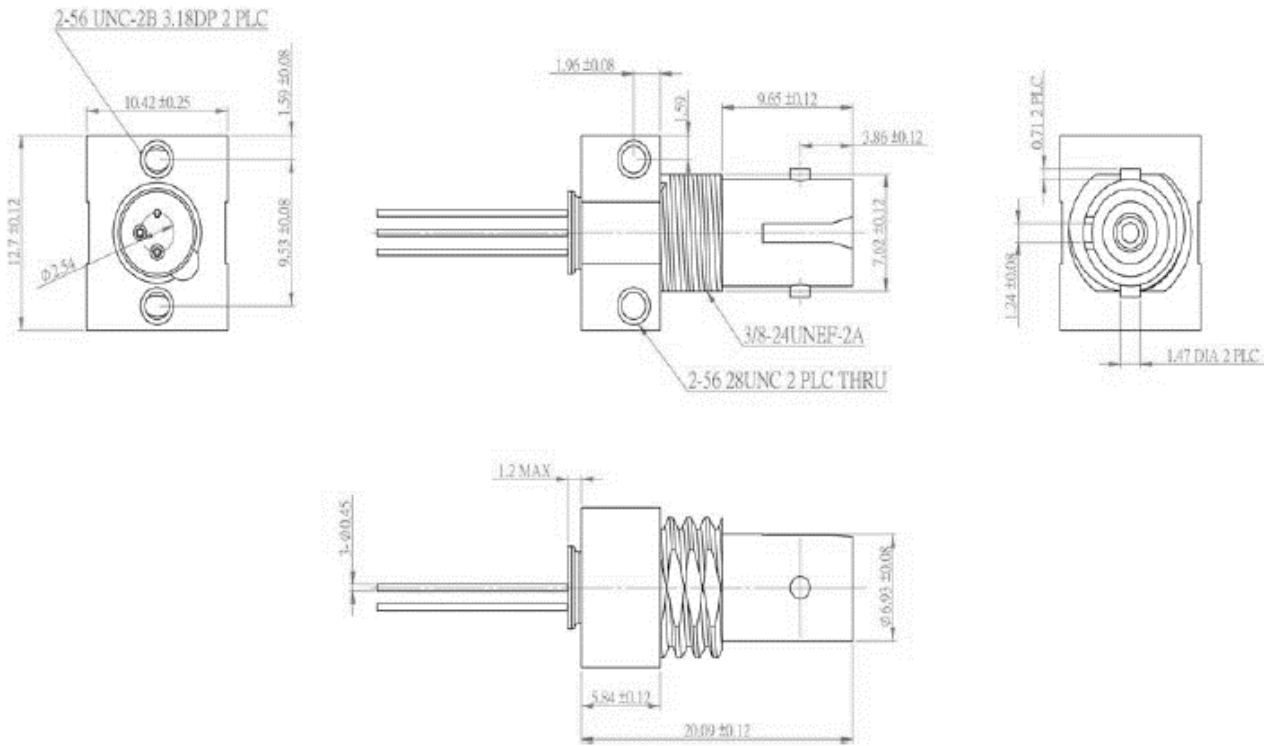
- Industry standard connector of metallic ST*-type receptacle
- For detecting 850nm wavelength
- Pre-aligned for 62.5/125um multi-mode fibers
- High speed up to 1.25Gbps
- Low dark current and low capacitance

Specifications

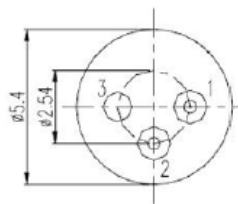
Absolute Maximum Ratings				
Parameters	Min.	Max.	Unit	Conditions
Storage Temperature	-40	100	°C	
Operating Temperature	-40	85	°C	
Lead Solder Temperature		260	°C	10 seconds
Forward Current		5	mA	
Reverse Current		1	mA	
Reverse Voltage		30	V	

Electro-Optical Characteristics						
Parameters	Symbol	Min.	Typ.	Max.	Unit	Conditions
Responsivity	R	0.4	0.6		A/W	$V_R=5V, \lambda=850nm$
Dark Current	I_D			3	nA	$V_R=5V, T_A=25^\circ C$
Breakdown Voltage	V_{BD}	50		1	V	$V_R=5V$
Rise/Fall Time	Tr/Tf			1.15	nsec	$V_R=5V$
Bandwidth	BW		1.2	1.5	GHz	

Outline Dimensions (unit: mm)



Bottom View



- Pinout
- 1. Anode
 - 2. Cathode
 - 3. NC

Note: Specifications are subject to change without notice.