



## RLC-P85A34G

### 4.25Gbps High Speed GaAs PIN Photodiode in LC Receptacle

#### Overview

The Lasermate RLC-P85A34G is a high speed, high reliability GaAs PIN photodiode without TIA, LC receptacle with 5GHz bandwidth. The photodiode is designed for use in 4.25Gbps fiber optic data communication applications.



#### Features

- Fiber-coupled GaAs photodiode
- Data rate operation of 4.25Gbps
- High reliability
- Low dark current
- Low capacitance
- -40 to 85°C operating temperature

#### Applications

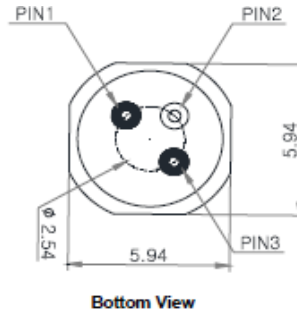
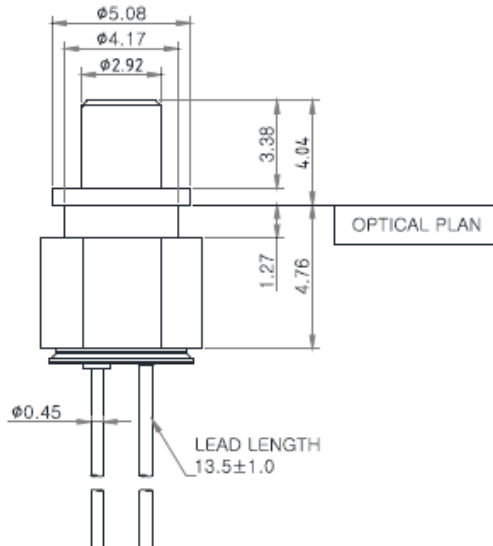
- High speed data communications
- Gigabit Ethernet
- Fiber Channel

#### Specifications

Absolute Maximum Ratings				
Parameters	Min.	Max.	Unit	Conditions
Storage Temperature	-40	100	°C	
Operating Temperature	-40	85	°C	
Soldering Temperature		260	°C	10 seconds
Forward Current		10	mA	
Reverse Voltage		40	V	

Electro-Optical Characteristics (CW @ T=25°C)						
Parameters	Symbol	Min.	Typ.	Max.	Unit	Conditions
Responsivity	R	0.45	0.55		A/W	$V_R=1.6V, \lambda=850nm$
Dark Current	$I_D$		0.1	1.0	nA	$V_R=1.6V$
Breakdown Voltage	$V_{BD}$	40			V	$I_R=1\mu A$
Capacitance	C		0.38	0.45	pF	$V_R=1.6V, f=1MHz$
Bandwidth	$F_{-3dB}$		5		GHz	$V_R=1.6V$
Rise and Fall Times	$t_r/t_f$		60/60		ps	$V_R=1.6V, 20\% \sim 80\%$
Central Wavelength	$\lambda_c$		850		nm	

**Outline Dimensions (unit: mm)**



**Pin Configuration**

Pin 1: PD Anode

Pin 2: NC

Pin 3: PD Cathode

Note: Specifications are subject to change without notice.