



## PDT-A13P4-2GA3

### 2.5Gbps InGaAs PIN plus AGC Pre-Amplifier Photodiode in TO-46 Package, 4-pin

#### Overview

The Lasermate PDT-A13P4-2GA3 is a high-speed, high sensitivity 2.5Gb/s InGaAs photodetector integrated with a transimpedance amplifier (TIA) in a 4-pin TO-46 package with short cap lens, specifically designed for 1310nm/1550nm band optical fiber communications.



#### Features

- 1310nm/1550nm InGaAs PINTIA 4 pin TO
- Industry standard TO-46 package with short cap lens and tab-less
- Single power supply +3.3V

#### Applications

- Optimized for fiber optic application
- Design for long wavelength 2.5Gbps applications

#### Specifications

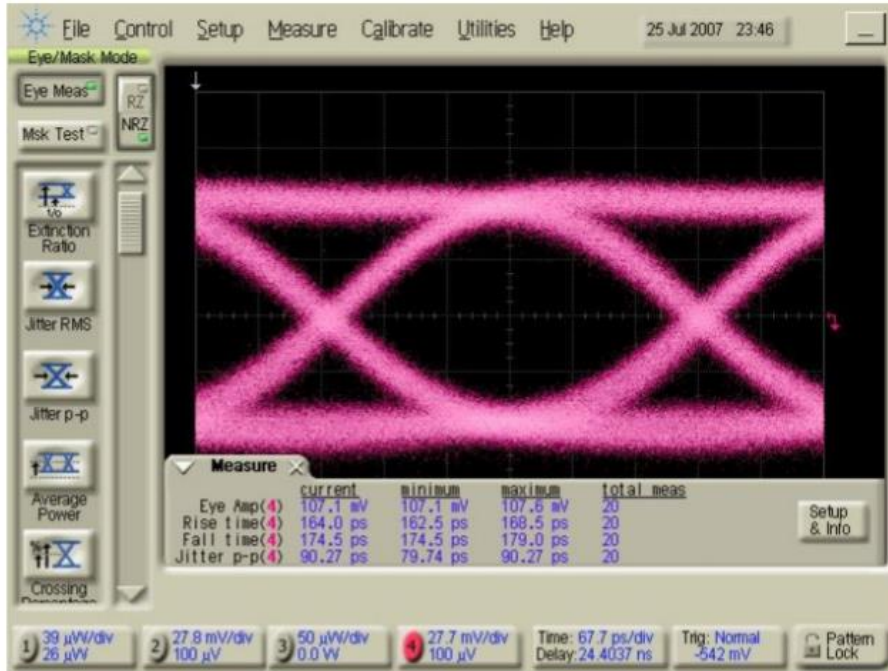
Electro-Optical Characteristics (Typical values are at + 3.3V@25°C)						
Parameters	Symbol	Min.	Typ.	Max.	Unit	Conditions
Power Supply	V <sub>cc</sub>	3.0	3.3	3.6	V	
Supply Current	I <sub>cc</sub>		48	60	mA	No loads
Differential Responsivity	R <sub>d</sub>	14		30	mV/uW	λ=1310nm, R <sub>load</sub> =100ohm, P=-23dBm
Single Ended Responsivity	R <sub>s</sub>	7		15	mV/uW	λ=1310nm, R <sub>load</sub> =50ohm, P=-23dBm
Small-Signal Bandwidth	BW	1.4			GHz	
Low-Frequency Cut Off	LF		80		kHz	
Rise/Fall Time (20-80%)	tr/tf		170	200	ps	P=-23dBm, λ=1310nm
Saturation Power	P <sub>sat</sub>	0			dBm	
Single Ended Output Impedance	R <sub>o</sub>		50		ohm	
Wavelength	λ	1260		1620	nm	
Sensitivity				-25	dBm	λ=1310nm, @2488.32Mbps, PRBS23, ER=10dB, BER=10 <sup>-10</sup>

Absolute Maximum Ratings					
Parameters	Min.	Max.	Unit	Conditions	
Storage Temperature	-40	100	°C		
Operating Temperature	-40	85	°C		
Lead Solder Temperature		260	°C	10 seconds	

## Typical Characteristics

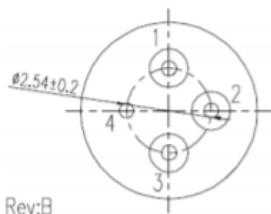
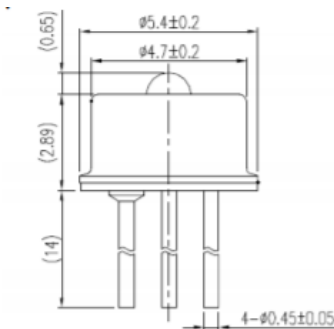
### Eye Diagram

R<sub>load</sub> = 50ohm, P = -23dBm @2488.32Mbps, 1310nm, PRBS 23.



tr=164.0ps, tf=174.5ps, Jitter p-p=90.27ps

### Outline Dimensions (unit: mm)



#### Pinout:

1. Vcc
2. D<sub>out</sub>
3. D<sub>out</sub>
4. Gnd

Rev:B

Note: Specifications are subject to change without notice.