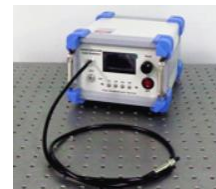


LED_{X₁X₂X₃X₄X₅X₆X₇}YQ

Multi-Wavelength Fiber Coupled LED

Overview

The LED_{X₁X₂X₃X₄X₅X₆X₇}YQ series fiber coupled multi-wavelength LED is ideal for applications that require multiple wavelengths from 375nm to 940nm. The multi-wavelength fiber coupled LED features stable output intensity, long operating lifetime, and high power. It is widely used in spectroscopy, optogenetics, fluorescence excitation, and many other applications.

**Features**

- Multiple wavelengths from 375nm to 940nm
- High output power
- Long operating lifetime
- SMA905 fiber connector
- TTL or Analog external modulation input available

Applications

- Spectroscopy
- Optogenetics
- Fluorescence excitation

Specifications

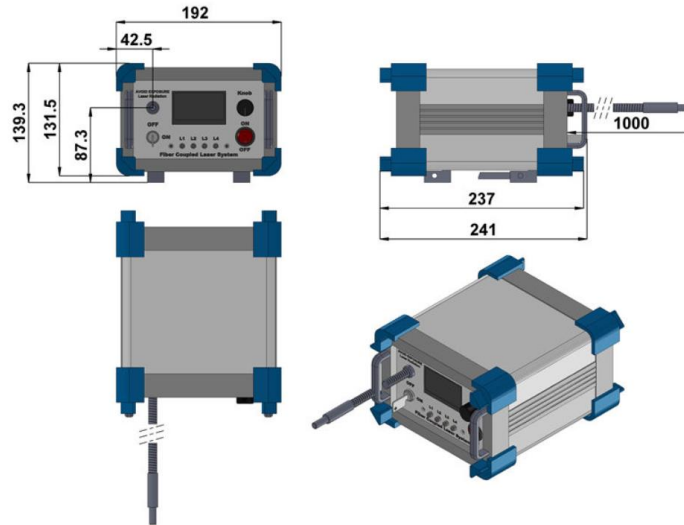
Model Number	LED_{X₁X₂X₃X₄X₅X₆X₇}YQ
Available wavelength (nm)	375nm (X=37), 395nm (X=39), 405nm (X=40), 430nm (X=43), 460nm (X=46), 470nm (X=47), 500nm (X=50), 530nm (X=53), 565nm (X=56), 600nm (X=60), 620nm (X=62), 660nm (X=66), 730nm (X=73), 808nm (X=80), 850nm (X=85), 880nm (X=88), 940nm (X=94)
Output mode	Fiber output
Fiber connector	SMA905
Fiber core diameter (um)	400 (Y=A), 600 (Y=M)
Output power (mW)	Related to fiber
Power stability (rms, over 4 hours)	<5%
Dimensions of LED	192(L) x241(W) x139.3(H) mm ³
Weight of LED head	0.2kg
Input power	12VDC 7A
Operating mode	CW (Q=C); CW with TTL modulation: 1Hz-1kHz (Q=T1), 1kHz-10kHz (Q=T2); CW with Analog modulation: 1Hz-1kHz (Q=A1), 1kHz-10kHz (Q=A2)
Operating temperature (°C)	10 to 35 °C
Storage temperature (°C)	-20 to 80 °C
Cooled method	Air
Lifetime (hours)	~10,000

Remarks:

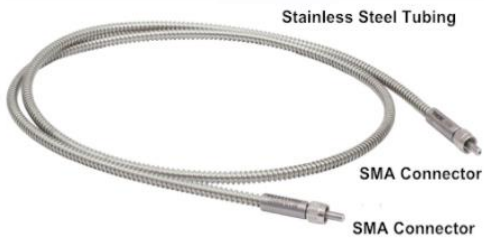
- For 400um fiber, select up to 7 wavelengths. As fiber core diameter increases, the fewer fibers can be combined.
- Other fiber core diameters may be available upon request.
- Specifications are subject to change without notice.

Outline Dimensions (unit: mm)

Multi-Wavelength LED



Fiber



For 400um Fiber



Features a $\Phi 2.0$ mm
7 Fiber Bundle

Note: The above specifications are subject to change without notice.