



DWM65854FA3

650nm/850nm Dual Wavelength Coaxial Laser Module, Dia. 15mm Housing

Overview

The Lasermate DWM65854FA3 laser diode module is a dual wavelength coaxial laser module with red and infrared wavelengths at 650nm and 850nm, respectively overlapping as a single beam and 15mm housing diameter. The laser module features miniature size, lightweight, user-friendly, and suitable in various ambient light circumstances.

Features

- Dual wavelength overlapping as single beam
- Red at 650nm, Infrared at 850nm
- Automatic Power Control (APC) IC inside
- Stable output power
- High quality laser beam
- Dimensions: Dia. 15mm x L. 29mm

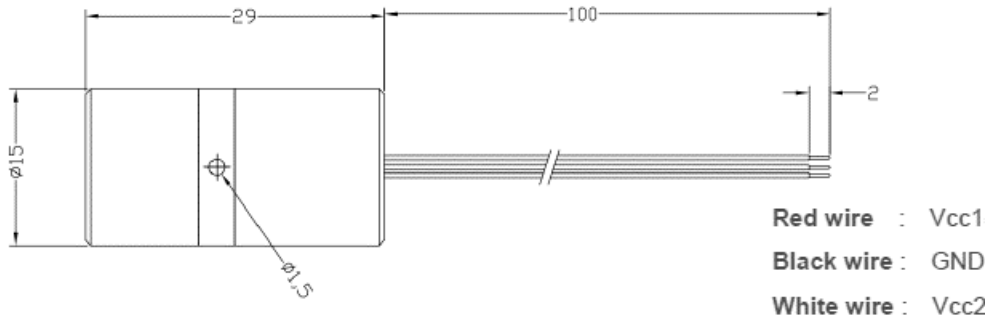
Specifications

Absolute Maximum Ratings			
Parameter	Symbol	Rating	Unit
Power supply voltage	V_{CC}	6	V
Optical output power	P_o	<5	mW
Operation temperature	T_{opr}	0 to 50	°C
Storage temperature	T_{stg}	0 to 85	°C

Electrical and Optical Characteristics ($T_c=25^\circ\text{C}$)						
Parameter	Symbol	Min.	Typ.	Max.	Unit	Conditions
Wavelength-850nm	λ_1	830	845	855	nm	$P_o = 3\text{mW}$
Wavelength-650nm	λ_2	645	655	660	nm	$P_o = 3\text{mW}$
Output power-850nm	P_{out1}	2		4	mW	
Output power-650nm	P_{out2}	2		4	mW	
Operation current-850nm	I_{op1}	-	-	60	mA	$P_o = 3\text{mW}, V_{CC} = 3\text{V}$
Operation current-650nm	I_{op2}	-	-	45	mA	$P_o = 3\text{mW}, V_{CC} = 3\text{V}$
Operation voltage	V_{op}	-	3	6	Volt	
Laser beam spot size at 10m				<20mm		
Divergence angle				2mrad		

*Sufficient heat dissipation is required for CW operation.

Outline Dimensions (unit: mm)



Additional Notes

- The laser modules are designated solely as OEM components for incorporation into the customer's end products. Therefore, it is the customer's responsibility to comply with the appropriate requirements of FDA 21CFR, section 1040.10 and 1040.11 for complete laser products. For the code of FDA regulations, please refer to [FDA Performance Standards for Light-Emitting Products](#) for detailed information.
- Specifications are subject to change without notice.



Lasermate Group, Inc.
19608 Camino De Rosa
Walnut, CA 91789 USA
Tel: (909)718-0999
Fax: (909)718-0998
sales@lasermate.com
www.lasermate.com