



DWM51854FA6

520nm/850nm Dual Wavelength Coaxial Laser Module, Dia. 15mm Housing

Overview

The Lasermate DWM51854FA6 laser diode module is a dual wavelength coaxial laser module with green and infrared wavelengths at 520nm and 850nm, respectively overlapping as a single beam and 15mm housing diameter. The laser module features miniature size, lightweight, user-friendly, and suitable in various ambient light circumstances.

Features

- Dual wavelength overlapping as single beam
- Green at 520nm, Infrared at 850nm
- Automatic Power Control (APC) IC inside
- Stable output power
- High quality laser beam
- Dimensions: Dia. 15mm x L. 29mm

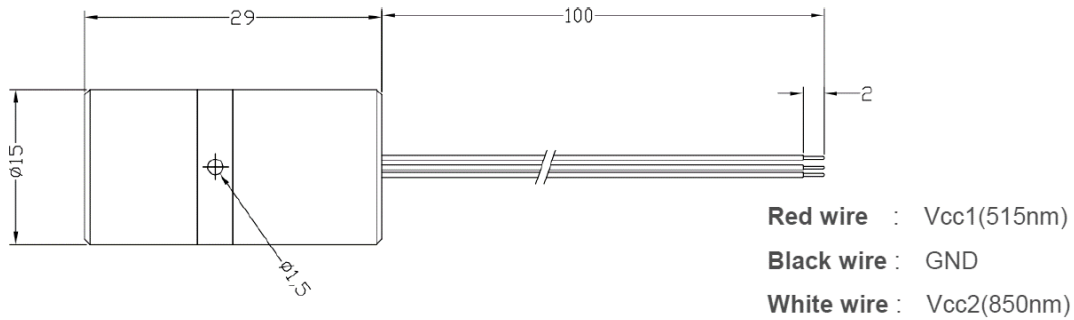
Specifications

Absolute Maximum Ratings			
Parameter	Symbol	Rating	Unit
Power supply voltage	V_{CC}	6	V
Optical output power	P_o	<5	mW
Operation temperature	T_{opr}	0 to 50	°C
Storage temperature	T_{stg}	0 to 85	°C

Electrical and Optical Characteristics ($T_c=25^\circ\text{C}$)						
Parameter	Symbol	Min.	Typ.	Max.	Unit	Conditions
Wavelength-520nm	λ_1	515	520	530	nm	$P_o = 3\text{mW}$
Wavelength-850nm	λ_2	830	845	855	nm	$P_o = 3\text{mW}$
Output power-520nm	P_{out1}	2		4	mW	
Output power-850nm	P_{out2}	2		4	mW	
Operation current-520nm	I_{op1}	-	-	100	mA	$P_o = 3\text{mW}, V_{CC} = 6\text{V}$
Operation current-850nm	I_{op2}	-	-	60	mA	$P_o = 3\text{mW}, V_{CC} = 6\text{V}$
Operation voltage	V_{op}	-	6	6.5	Volt	
Laser beam spot size at 10m				<20mm		
Divergence angle				2mrad		

*Sufficient heat dissipation is required for CW operation.

Outline Dimensions (unit: mm)



Additional Notes

- The laser modules are designated solely as OEM components for incorporation into the customer's end products. Therefore, it is the customer's responsibility to comply with the appropriate requirements of FDA 21CFR, section 1040.10 and 1040.11 for complete laser products. For the code of FDA regulations, please refer to [FDA Performance Standards for Light-Emitting Products](#) for detailed information.
- Specifications are subject to change without notice.