



DWM51654FA6

515nm/650nm Dual Wavelength Coaxial Laser Module, Dia. 15mm Housing

Overview

The Lasermate DWM51654FA6 laser diode module is a dual wavelength coaxial laser module with green and red wavelengths at 515nm and 650nm, respectively overlapping as a single beam and 15mm housing diameter. The laser module features miniature size, lightweight, user-friendly, and suitable in various ambient light circumstances.

Features

- Dual wavelength overlapping as single beam
- Green at 515nm, Red at 650nm
- Automatic Power Control (APC) IC inside
- Stable output power
- High quality laser beam
- Dimensions: Dia. 15mm x L. 29mm

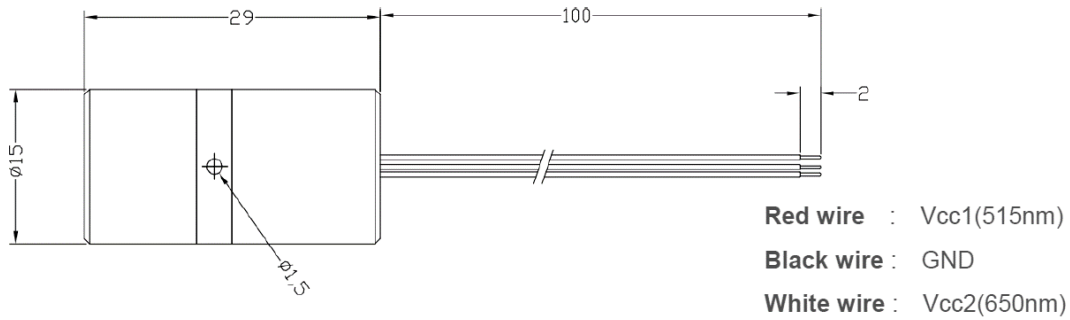
Specifications

Absolute Maximum Ratings			
Parameter	Symbol	Rating	Unit
Power supply voltage	V_{CC}	6	V
Optical output power	P_o	<5	mW
Operation temperature	T_{opr}	0 to 50	°C
Storage temperature	T_{stg}	0 to 85	°C

Electrical and Optical Characteristics ($T_c=25^\circ\text{C}$)						
Parameter	Symbol	Min.	Typ.	Max.	Unit	Conditions
Wavelength-515nm	λ_1	515	520	530	nm	$P_o = 3\text{mW}$
Wavelength-650nm	λ_2	645	655	660	nm	$P_o = 3\text{mW}$
Output power-515nm	P_{out1}	2		4	mW	
Output power-650nm	P_{out2}	2		4	mW	
Operation current-515nm	I_{op1}	-	-	100	mA	$P_o = 3\text{mW}, V_{CC} = 6\text{V}$
Operation current-650nm	I_{op2}	-	-	45	mA	$P_o = 3\text{mW}, V_{CC} = 6\text{V}$
Operation voltage	V_{op}	-	6	6.5	Volt	
Laser beam spot size at 10m				<20mm		
Divergence angle				2mrad		

*Sufficient heat dissipation is required for CW operation.

Outline Dimensions (unit: mm)



Additional Notes

- The laser modules are designated solely as OEM components for incorporation into the customer's end products. Therefore, it is the customer's responsibility to comply with the appropriate requirements of FDA 21CFR, section 1040.10 and 1040.11 for complete laser products. For the code of FDA regulations, please refer to [FDA Performance Standards for Light-Emitting Products](#) for detailed information.
- Specifications are subject to change without notice.