



T66H-P1 Series

660nm Fiber Coupled Laser Diodes, 160mW-200mW, MM Fiber, Multimode Beam



Overview

The Lasermate T66H-P1 series is a 660nm wavelength, fiber coupled laser diode module offering up to 200mW output power through a 50um or 100um fiber. The laser is designed for use in laser pumping, medical usage, printing, and marking applications.

Features

- 660nm laser diode
- Uncooled fiber-coupled CW module
- Multimode fiber output
- Optical output power 160mW to 200mW
- FC/ST/SMA905 interface

Applications

- Laser pumping
- Medical usage
- Printing
- Marking

Product Overview

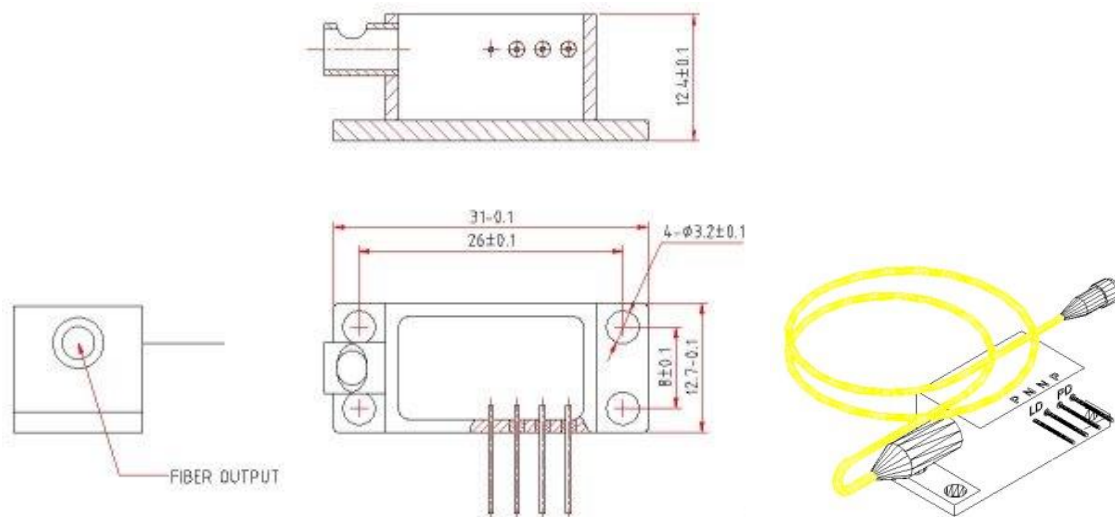
The following table lists the available part numbers, as well as the wavelength, output power, operating current, fiber core size, and connector of each of the part numbers.

Part Number	Wavelength	Output Power	Operating Current	Fiber Core Size	Connector
T66H-P1-FC160	660nm	160mW	770mA	50um	FC
T66H-P1-ST160	660nm	160mW	770mA	50um	ST
T66H-P1-SMA160	660nm	160mW	770mA	50um	SMA905
T66H-P1-FC200	660nm	200mW	850mA	100um	FC
T66H-P1-ST200	660nm	200mW	850mA	100um	ST
T66H-P1-SMA200	660nm	200mW	850mA	100um	SMA905

**Specifications (25°C)**

Optical Specifications		
CW Output Power from Fiber	160mW	200mW
Central Wavelength	650 - 670nm	
Spectral Width	<4nm	
Wavelength Temperature Coefficient	0.3nm/°C	
Fiber Characteristics		
Fiber Core Size	50µm	100µm
N.A.	0.22	
Fiber Length	1m	
Connector	FC, ST, SMA905	
Electrical Characteristics		
Slope Efficiency	>0.6W/A	
Threshold Current	450mA	
Operating Current	770mA	850mA
Operating Voltage	<2.5V	
Series Resistance	<0.3Ω	
Absolute Maximum Ratings		
Optical Output Power	160mW	200mW
Operating Temperature	-10 to 40 °C	
Storage Temperature	-40 to 85 °C	

Mechanical Outline (unit: mm)



Additional Notes

- The laser diodes are designated solely as OEM components for incorporation into the customer's end products. Therefore, it is the customer's responsibility to comply with the appropriate requirements of FDA 21CFR, section 1040.10 and 1040.11 for complete laser products. For the code of FDA regulations, please refer to [FDA Performance Standards for Light-Emitting Products](#) for detailed information.
- Specifications are subject to change without notice.