



T66E-XYZ-WM

660nm Single Mode Fiber Pigtailed Laser Diode, 9/125um SM Fiber, Multimode Beam



Description

The Lasermate T66E-XYZ-WM is a 660nm wavelength, fiber coupled laser diode offering up to 20mW output power through a 9/125um single mode fiber. The laser is designed for use in optical fiber checker and light source applications.

Features

- 660nm laser diode
- Operation at -10°C to +60°C
- Built-in monitor photodiode
- Fiber optical output power 20mW for 9/125um SM fiber

Applications

- Design for optical fiber checker
- Light source

Packaging

- Fiber pigtailed with optional FC/SC/ST connector

Product Overview

The following table lists the available part numbers, as well as the package, connector, output power, and optional mount of each of the part numbers.

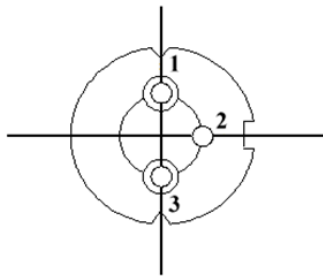
Part Number	Package	Connector	Output Power	Pinout Configuration	Mount
T66E-PSC20-20	Pigtailed with 9/125um SM fiber	SC/PC	20mW	Common anode	No flange
T66E-PST20-20	Pigtailed with 9/125um SM fiber	ST/PC	20mW	Common anode	No flange
T66E-PFC20-20	Pigtailed with 9/125um SM fiber	FC/PC	20mW	Common anode	No flange
T66E-PSC20-21	Pigtailed with 9/125um SM fiber	SC/PC	20mW	Common anode	Horizontal mount
T66E-PST20-21	Pigtailed with 9/125um SM fiber	ST/PC	20mW	Common anode	Horizontal mount
T66E-PFC20-21	Pigtailed with 9/125um SM fiber	FC/PC	20mW	Common anode	Horizontal mount

Specifications

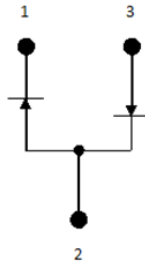
Absolute Maximum Ratings (T _c = 25°C)			
Parameter	Symbol	Rating	Unit
Operating Temperature	T _{op}	-10 to +60	°C
Storage Temperature	T _{stg}	-40 to +85	°C
LD Reverse Voltage	V _{RLD}	2	V
PD Reverse Voltage	V _{RPD}	30	V

Electrical-Optical Characteristics (T _c = 25°C)						
Parameter	Symbol	Min.	Typ.	Max	Unit	Conditions
Lasing Wavelength	λ	650	660	670	nm	
Threshold current	I _{th}	-	45	60	mA	CW
Operating current	I _{op}	-	80	120	mA	
Operating voltage	V _{op}	-	2.5	3.0	Volt	
Optical output power	P _o	-	-	20	mW	9/125 μm SM fiber
Monitor current	I _m	50	250	900	μA	

Pin Configuration



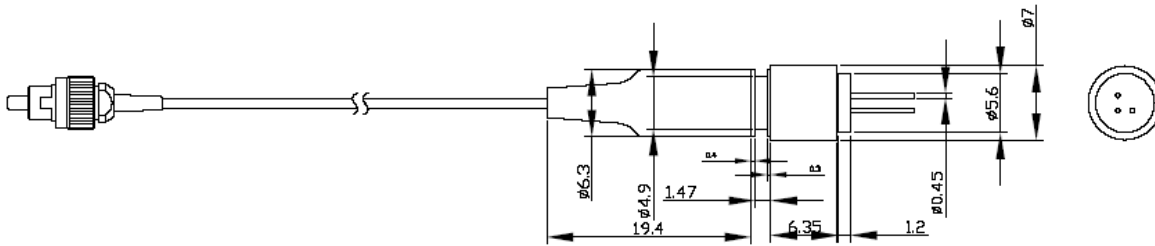
Bottom View



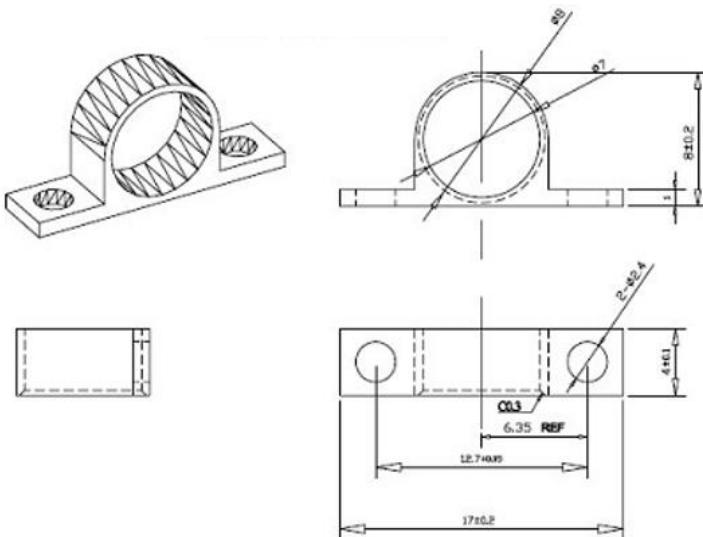
Pin	Function
1	Laser Diode Cathode
2	Laser Diode Anode, Photodiode Cathode
3	Photodiode Anode

Mechanical Outline (unit: mm)

Laser Diode



Horizontal Mount



Additional Notes

- The laser diodes are designated solely as OEM components for incorporation into the customer's end products. Therefore, it is the customer's responsibility to comply with the appropriate requirements of FDA 21CFR, section 1040.10 and 1040.11 for complete laser products. For the code of FDA regulations, please refer to [FDA Performance Standards for Light-Emitting Products](#) for detailed information.
- Specifications are subject to change without notice.