



LD940E3WG13

High Power 940nm 3000mW FP Laser Diode in C-Mount Package

Description

The Lasermate LD980E3WG13 is a high power 980nm, 3000mW Fabry-Perot laser diode in C-mount package. The laser diode is suitable as laser light source for many applications.

Features

- 980nm Fabry-Perot cavity semiconductor laser
- Optical output power: 3000mW CW
- High output power
- No monitor photodiode
- Package: C-mount

Specifications ($T_c = 20^\circ\text{C}$)

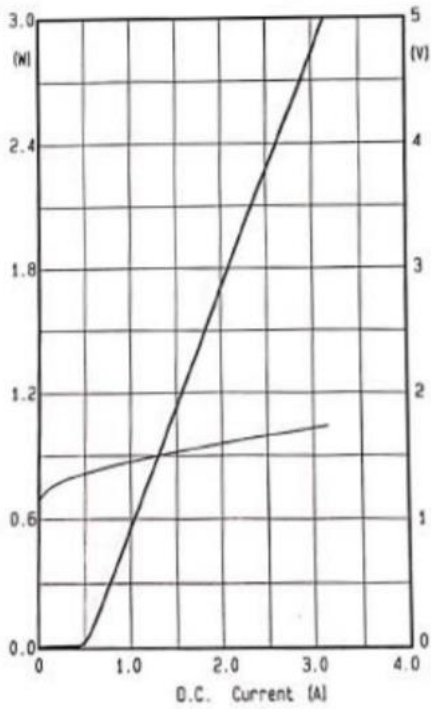
OPTICAL CHARACTERISTICS		
PARAMETER	TYP.	UNIT
Lasing wavelength	980±10	nm
Output power	3	W
Spectral width	≤3	nm
Emitting area width	150	um
Temperature coefficient	0.30	nm/°C
Fast axis divergence	<40	deg
Slow axis divergence	<10	deg

ELECTRICAL CHARACTERISTICS		
PARAMETER	TYP.	UNIT
Slope efficiency	≥1.0	W/A
Threshold current	≤0.75	A
Operating current	≤3.6	A
Operating voltage	≤2.0	V

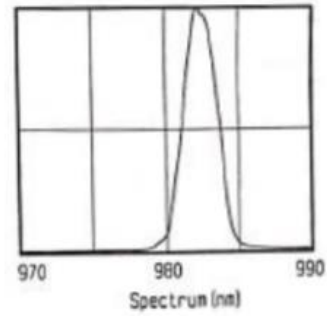
OTHERS CHARACTERISTICS		
PARAMETER	TYP.	UNIT
Package	C-Mount	-
Operating temperature	15 to 30	°C
Storage temperature	-40 to +60	°C
Welding temperature	≤260	°C

Typical Characteristics

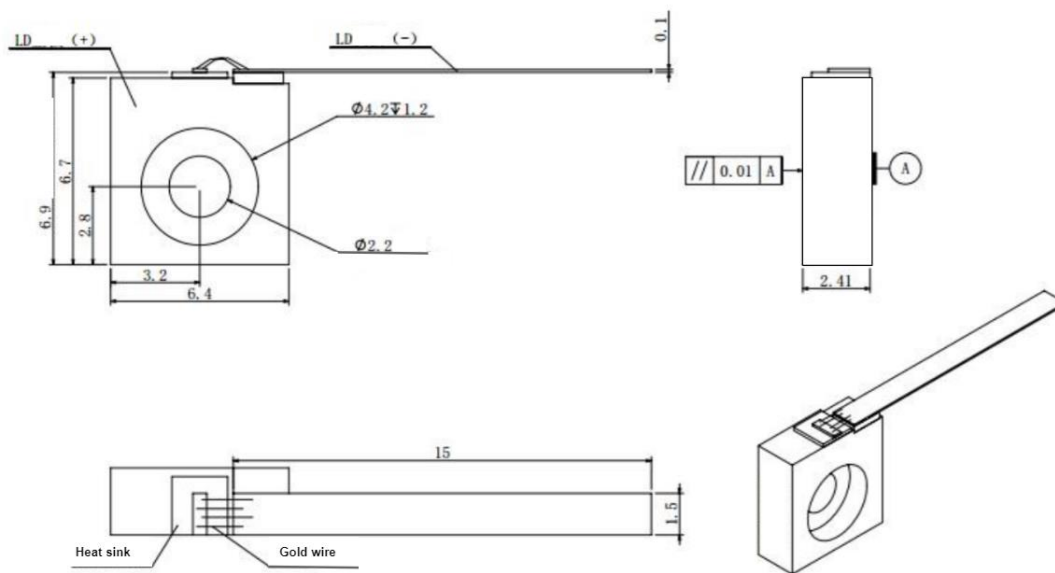
P-I-V CURVE



SPECTRAL CURVE



Mechanical Outline (unit: mm)





Additional Notes

- Data in the sheet are based on C-mount package heat sink testing.
- Do not operate the device above maximum ratings. Doing so may cause unexpected and permanent damage to the device.
- Take precautions to avoid electrostatic discharge and/or momentary power spikes. A change in the characteristics of the laser or premature failure may result.
- Proper heat sinking of the device assures stability and lifetime. Always ensure that maximum operating temperatures are not exceeded.
- Observing visible or invisible laser beams with human eye directly, or indirectly, can cause permanent damage. Use a camera to observe the laser.
- No laser device should be used in any application or situation where life or property is at risk in the event of device failure.
- Specifications are subject to change without notice. Ensure that you have the latest specification by contacting us prior to purchase or use of the product.