



## LD808E8WG13

### High Power 808nm 8000mW FP Laser Diode in C-Mount Package

#### Description

The Lasermate LD808E8WG13 is a high power 808nm, 8000mW Fabry-Perot laser diode in C-mount package. The laser diode is suitable as laser light source for many applications.

#### Features

- 808nm Fabry-Perot cavity semiconductor laser
- Optical output power: 8000mW CW
- High output power
- No monitor photodiode
- Package: C-mount

#### Specifications ( $T_c = 20^\circ\text{C}$ )

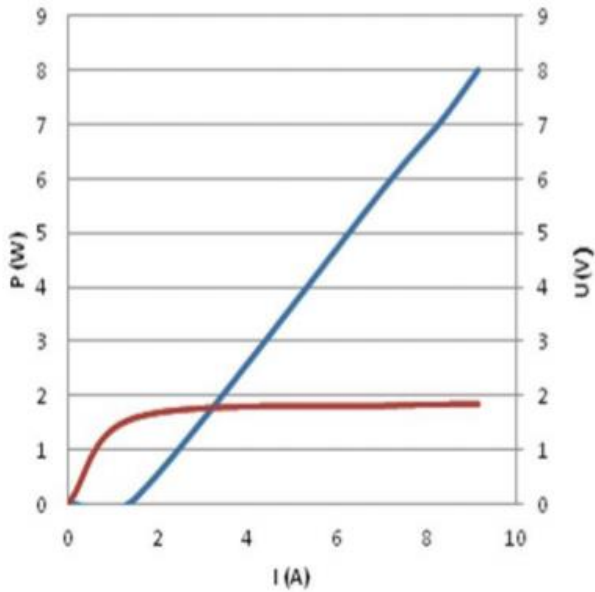
OPTICAL CHARACTERISTICS		
PARAMETER	TYP.	UNIT
Lasing wavelength	808±5	nm
Output power	8	W
Spectral width	≤5	nm
Emitting area width	200	um
Temperature coefficient	0.30	nm/°C
Fast axis divergence	<40	deg
Slow axis divergence	<10	deg

ELECTRICAL CHARACTERISTICS		
PARAMETER	TYP.	UNIT
Slope efficiency	≥1.0	W/A
Threshold current	≤1.8	A
Operating current	≤10.0	A
Operating voltage	≤2.0	V

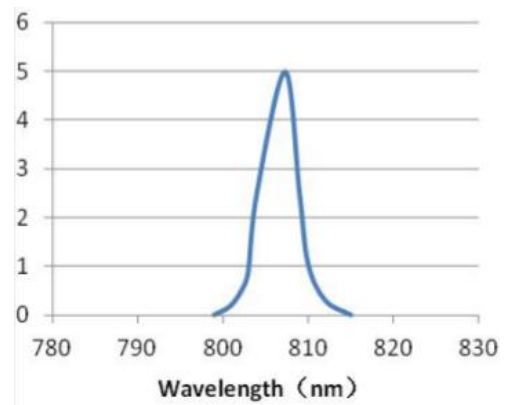
OTHERS CHARACTERISTICS		
PARAMETER	TYP.	UNIT
Package	C-Mount	-
Operating temperature	15 to 30	°C
Storage temperature	-40 to +60	°C
Welding temperature	≤260	°C

Typical Characteristics

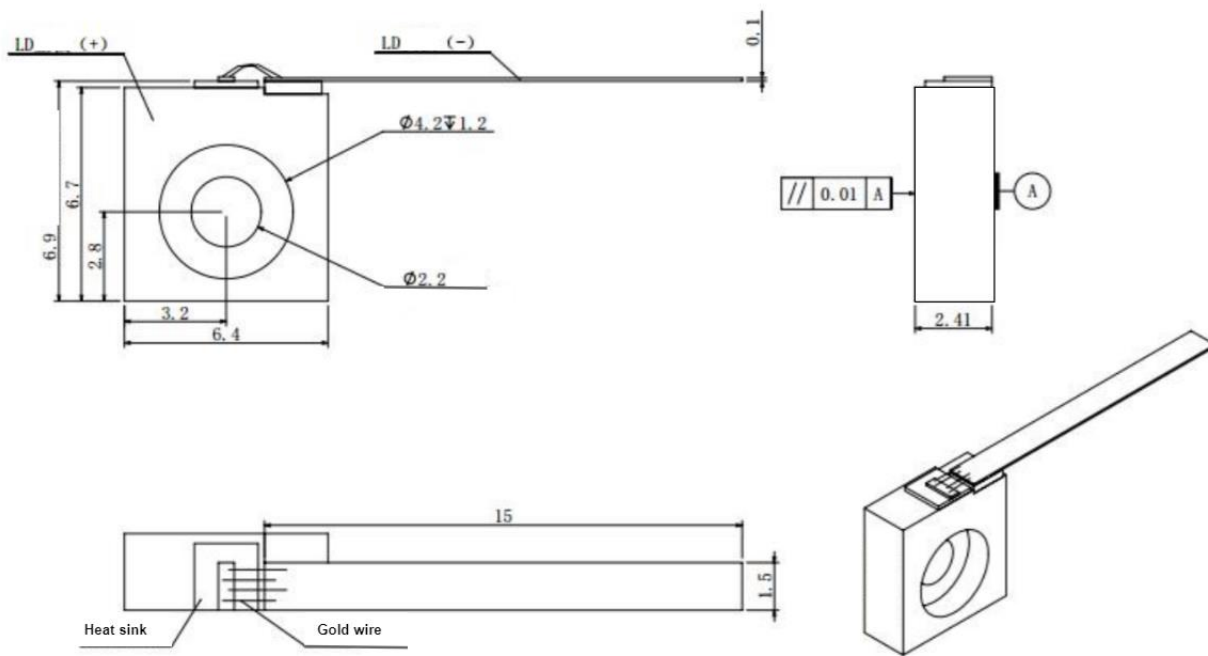
P-I-V CURVE



SPECTRAL CURVE



Mechanical Outline (unit: mm)





#### Additional Notes

- Data in the sheet are based on CoS package testing.
- Do not operate the device above maximum ratings. Doing so may cause unexpected and permanent damage to the device.
- Take precautions to avoid electrostatic discharge and/or momentary power spikes. A change in the characteristics of the laser or premature failure may result.
- Proper heat sinking of the device assures stability and lifetime. Always ensure that maximum operating temperatures are not exceeded.
- Observing visible or invisible laser beams with human eye directly, or indirectly, can cause permanent damage. Use a camera to observe the laser.
- No laser device should be used in any application or situation where life or property is at risk in the event of device failure.
- Specifications are subject to change without notice. Ensure that you have the latest specification by contacting us prior to purchase or use of the product.