



## LD670D300G13

## High Power 670nm 300mW FP Laser Diode in C-Mount Package

## Description

The Lasermate LD670E300G13 is a high power 670nm, 300mW Fabry-Perot laser diode in C-mount package. The laser diode is suitable as laser light source for many applications, including bar code scanner.

## Features

- 670nm Fabry-Perot cavity semiconductor laser
- Optical output power: 300mW CW
- High output power
- No monitor photodiode
- Package: C-mount

## Applications

- Bar code scanner

Specifications ( $T_C = 20^\circ\text{C}$ )

## Optical Characteristics

PARAMETER	MIN.	TYP.	MAX.	UNIT
Lasing wavelength	660	670	680	nm
Output power	-	300	-	mW
Spectral width	-	1.0	2.0	nm
Emitting area width	-	100	-	um
Temperature coefficient	-	0.30	-	nm/ $^\circ\text{C}$
Fast axis divergence	-	34	38	deg
Slow axis divergence	-	7	10	deg

## Electrical Characteristics

PARAMETER	MIN.	TYP.	MAX.	UNIT
Slope efficiency	0.90	-	-	W/A
Threshold current	-	0.50	0.60	A
Operating current	-	0.80	1.00	A
Operating voltage	-	2.00	2.30	V

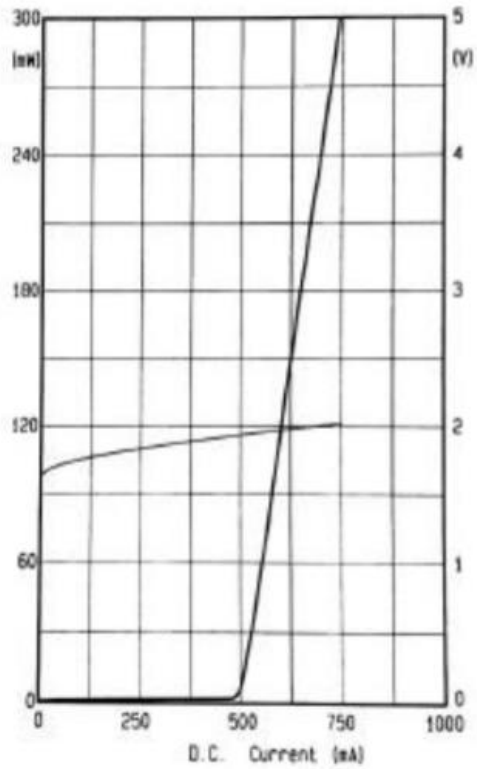
## Other Characteristics

PARAMETER	MIN.	TYP.	MAX.	UNIT
Package	C-mount			-
Operating temperature	10		30	$^\circ\text{C}$
Storage temperature	-10		60	$^\circ\text{C}$

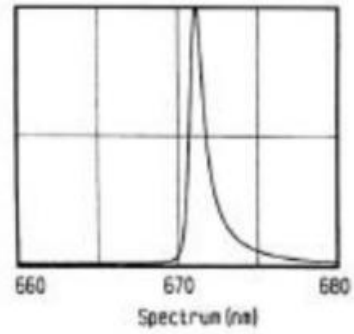


Typical Characteristics

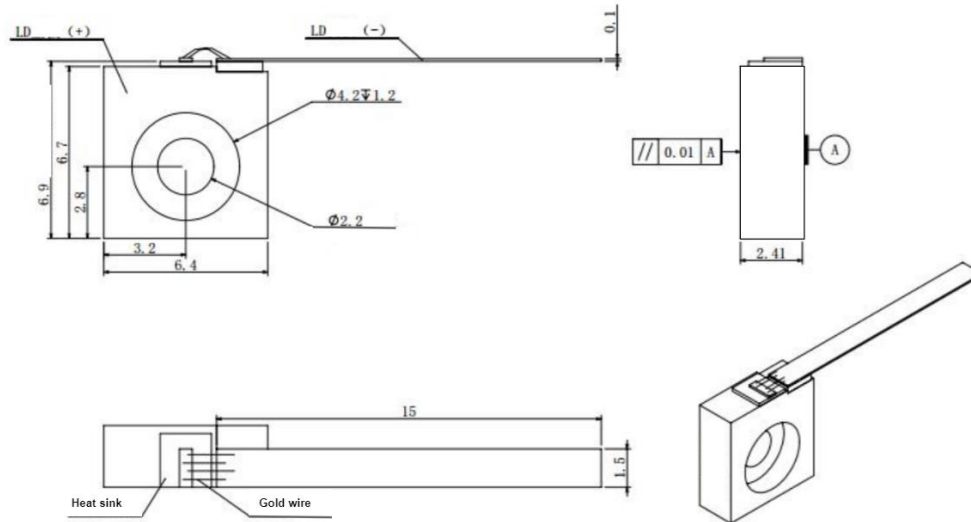
P-I-V CURVE



SPECTRAL CURVE



Mechanical Outline (unit: mm)



Additional Notes

- Do not operate the device above maximum ratings. Doing so may cause unexpected and permanent damage to the device.
- Take precautions to avoid electrostatic discharge and/or momentary power spikes. A change in the characteristics of the laser or premature failure may result.
- Proper heat sinking of the device assures stability and lifetime. Always ensure that maximum operating temperatures are not exceeded.
- Observing visible or invisible laser beams with human eye directly, or indirectly, can cause permanent damage. Use a camera to observe the laser.
- No laser device should be used in any application or situation where life or property is at risk in the event of device failure.
- Specifications are subject to change without notice. Ensure that you have the latest specification by contacting us prior to purchase or use of the product.