



CW Fiber Laser

FLC Series



Overview

The FLC series is a family of infrared all fiber continuous wave lasers at 1064nm and 1080nm that can deliver up to 200 W output power. The laser is constructed with features of high power, air-cooled, ultra-compact design, long lifetime, cost effectiveness, and easy operation. It is commonly used in laser radar, life science, material processing, microelectronics, scientific research, and many other applications.

Features

- Available wavelengths: 1064nm, 1080nm
- CW operating mode
- Optical output power 3000mW to 200W
- Ultra-compact design

Applications

- Laser radar
- Material processing
- Microelectronics
- Scientific research

FLC Series Laser Specifications

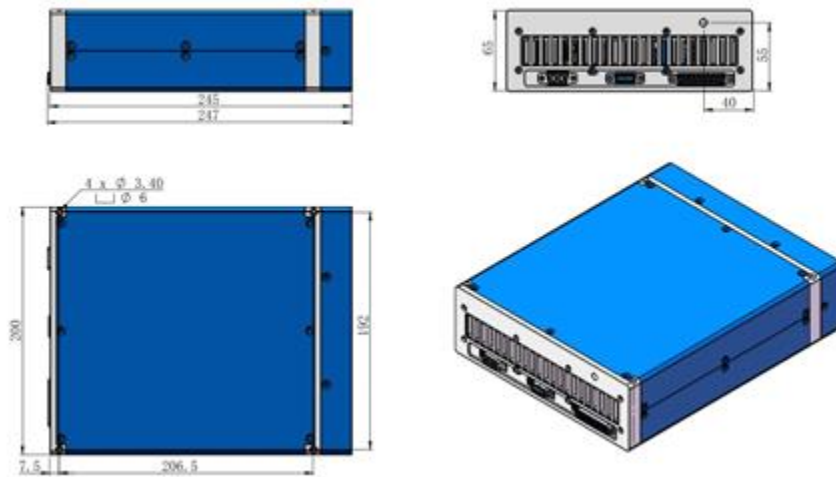
Parameter	FLC1064			FLC1080		
Wavelength	1064±2 nm			1080±2 nm		
Operating mode	CW or Modulated			CW or Modulated		
Output power	~5 W, ~10 W	~20 W, ~50 W	~100 W, ~200 W	~3 W, ~5 W, ~10 W	~15 W, ~20 W, ~30 W, ~50 W	~80 W, ~100 W, ~150 W, ~200 W
Transverse mode	TEM ₀₀ for 1-20W, Multimode for >20W			TEM ₀₀ for 1-20W, Multimode for >20W		
Power stability (rms, over 4 hours)	<3%, <1%			<2%, <1%		
Delivery fiber length	2-5 m			2-5 m		
Output fiber termination	Collimator			Collimator		
Beam diameter (1/e ²)	6±1 mm			6±1 mm		
M ² factor	<1.5			<1.5		
Polarization state	Random			Random		
Warm-up time	<15 min			<15 min		
Operating temperature	15-35°C			15-35°C		
Cooled method	Air cooled			Air cooled		
Input voltage	220V AC			220V AC		
Dimensions	247(L) x200(W) x65(H) mm ³	483(L) x411(W) x101(H) mm ³	482(L) x612.5(W) x178(H) mm ³	247(L) x200(W) x65(H) mm ³	483(L) x411(W) x101(H) mm ³	482(L) x612.5(W) x178(H) mm ³
Weight	3.5 kg	5 kg	33 kg	3.5 kg	5 kg	33 kg
Expected lifetime	10,000 hours			10,000 hours		
Warranty	10 months			10 months		
FDA Compliance	FDA CDRH Title 21 CFR 1040.10/11 Class IV			FDA CDRH Title 21 CFR 1040.10/11 Class IV		

Remarks:

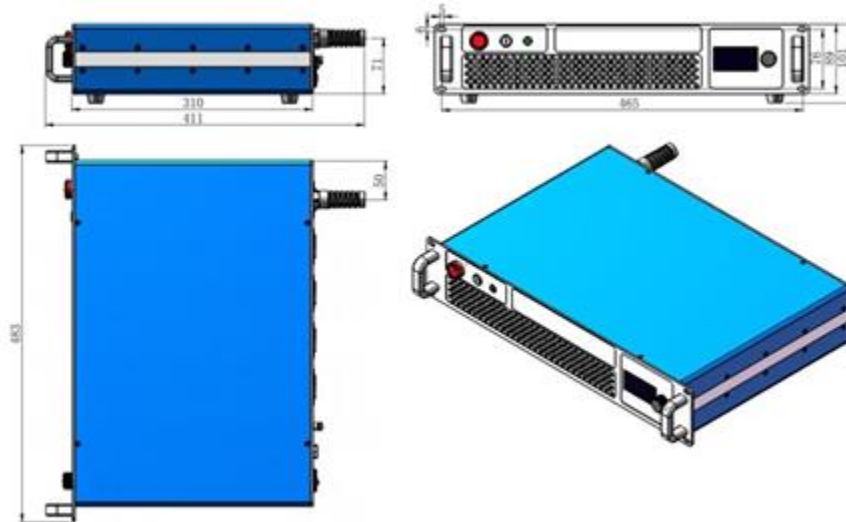
- The fiber lasers are designated solely as OEM components for incorporation into the customer's end products. It is the customer's responsibility to comply with FDA requirements of FDA 21CFR, section 1040.10 and 1040.11 for complete laser products. For the code of FDA regulations, please refer to [FDA Performance Standards for Light-Emitting Products](#) for detailed information.
- Specifications are subject to change without notice.

FLC Series Laser Outline Dimensions (unit: mm)

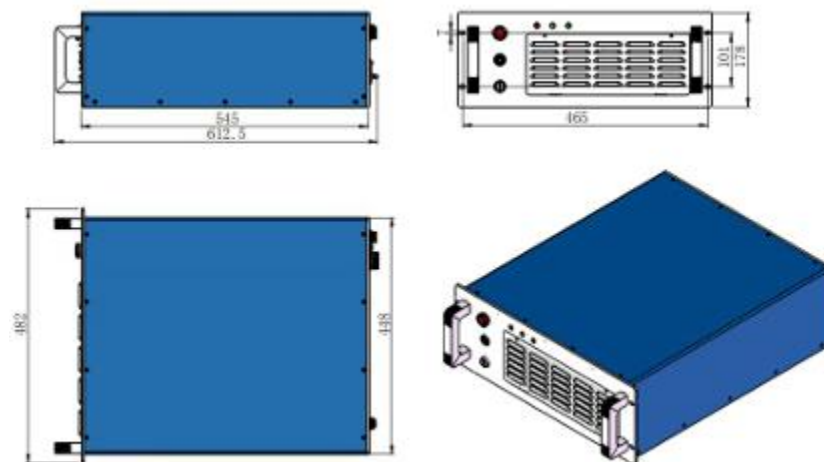
Laser for Output Power 1-10W



Laser for Output Power 10-50W



Laser for Output Power 50-200W



Ordering Information

For more information, please contact Lasermate directly at sales@lasermate.com.

Read Model No.	FLC[1]-[2][3]
FLC = Laser Model Series	CW Fiber Laser
[1] = Wavelength	1064nm (1064), 1080nm (1080)
[2] = Output Power	~3W (3W), ~5W (5W), ~10W (10W), ~15W (15W), ~20W (20W), ~30W (30W), ~50W (50W), ~80W (80W), ~100W (100W), ~150W (150W), ~200W (200W)
[3] = Power Stability	<3% (E), <2% (2), <1% (D)

Note: The above specifications are subject to change without notice.



Lasermate Group, Inc.
 19608 Camino De Rosa
 Walnut, CA 91789 USA
 Tel: (909)718-0999
 Fax: (909)718-0998
sales@lasermate.com
www.lasermate.com