

Laser Sight Designed for Pistols with Tactical Slide, using 2 x L1154 Batteries, Pad switch

LS02-EC01-M1



Features

- Red laser sight
- Designed for pistols with tactical slide
- Uses 2 x L1154 batteries
- Pad switch

Specifications

Size: \varnothing 15.9 x 37.5mm

Wavelength: 645+/-10nm

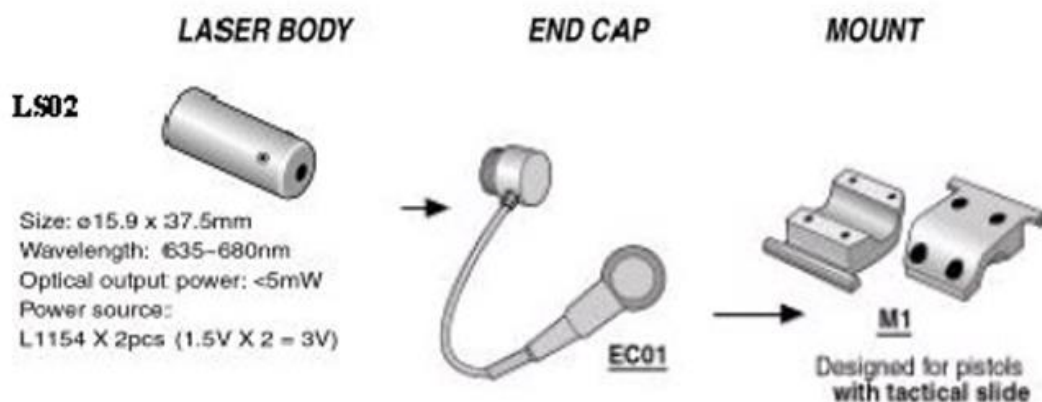
Optical output power: 2.0~3.0mW

Laser Class: IIIa

Power source: L1154 x 2pcs (1.5V x 2)

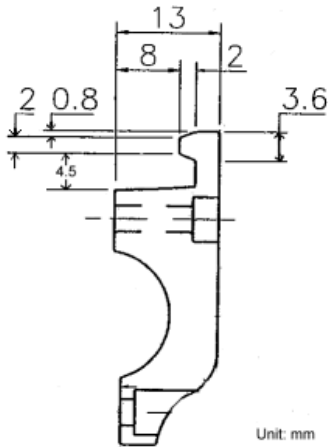
Pad switch: Yes

Tactical Slide Mount: M1 mount



Mechanical Outline of standard M1 mount for Tactical Slide

M1 Mount Side View



Notes: Please check the tactical slide of your pistol before ordering LS02 laser sights. Standard M1 mounts do not fit S&W 40 series.

Mount

Tactical Slide Mount: (M1 Mount)

Works with Pad Switch.

Specially designed for the pistols with tactical slide, i.e. (H&K) USP, Walter, Glock, and S&W.

Additional Notes

- [Warning] Laser radiation is harmful. Please avoid direct eye exposure.
- Never aim or shine a laser aimer or gun sight at anyone.
- Do not buy laser aimers or gun sights for your children.
- You must be 18 or older to purchase Laser Sights. All Laser Sights are shipped by UPS or FedEx and require an adult signature upon delivery. Laser Sight cannot be sent to New York City. Please check your State, County and City laws for restrictions before ordering laser sights.
- Specifications are subject to change without notice.



Lasermate Group, Inc.

19608 Camino De Rosa
Walnut, CA 91789 USA

Tel: (909)718-0999

Fax: (909)718-0998

sales@lasermate.com

www.lasermate.com