



Fiber Optic Collimator, Adjustable Focus, Spherical Lens, FC or SMA905



FC-SL-X-AFY

OVERVIEW

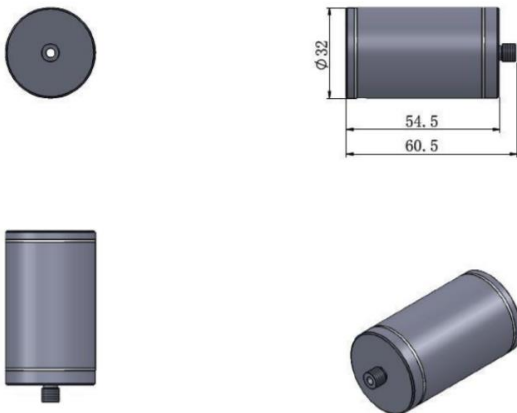
The FC-SL-X-AFY fiber collimator is designed to accept FC/PC or SMA905 type fiber connectors and collimate light exiting a fiber to a desired beam diameter. High quality, AR-coated spherical lenses are used for low insertion loss and beam sizes only limited by diffraction. The distance between the spherical lens and the tip of the FC-terminated fiber can be adjusted to compensate for focal length changes, or to re-collimate the beam at the specific wavelength and distance of interest.

SPECIFICATIONS

Model Number	FC-SL-X-AFY			
Inner lens	Spherical			
Connector	FC/PC (X=FC), SMA905 (X=SMA)			
Focus	Adjustable			
Dimensions	Φ32mm x 60.5mm			
Fiber core diameter (um)		100 (Y=100)	200 (Y=200)	400 (Y=400)
Beam at focused distance	@4-5cm	200-250um	300-350um	700-800um
	@10cm	1-1.1mm	1.4-1.5mm	2.4-2.7mm
	@20cm	1.5-1.8mm	1.7-3.2mm	4-5mm
	@30cm	2-3.2mm	2.3-4.8mm	6-7.5mm
Divergence (diverging) (mrad)		6-178mrad	10-143mrad	19-172mrad
Divergence (focused) (mrad)		6-128mrad	10-125mrad	19-115mrad

Note: The parameters are different depending on the type or wavelength of laser.

OUTLINE DIMENSIONS



Note:

- The specifications subject to change without notice.



Lasermate Group, Inc.
19608 Camino De Rosa
Walnut, CA 91789 USA
Tel: (909)718-0999
Fax: (909)718-0998
sales@lasermate.com
www.lasermate.com