



Data Sheet

Rev 00.1220

Fiber Optic Collimator, Fixed Focus, Aspherical Lens, FC or SMA905



FC-AL-X-NFY

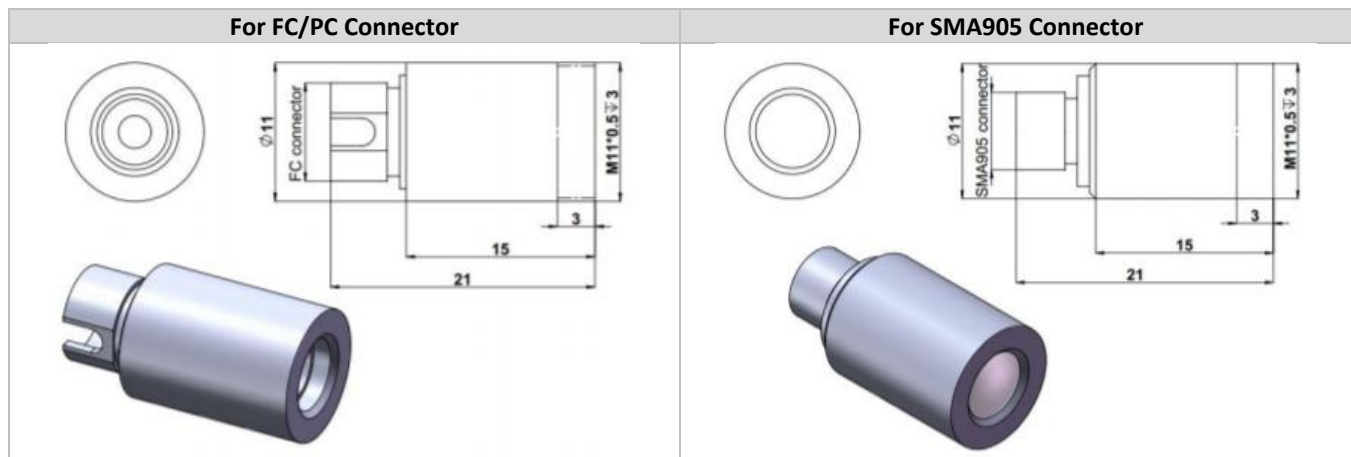
OVERVIEW

The FC-AL-X-NFY fiber collimator is designed to accept FC/PC or SMA905 type connectors and collimate light exiting a fiber to a desired beam diameter. High quality, AR-coated aspherical lenses are used for low insertion loss and beam sizes only limited by diffraction. Featuring good spot uniformity, it is constructed with ultra-compact size and excellent performance, which is used to collimate to the beam out of the fiber.

SPECIFICATIONS

Model Number	FC-AL-X-NFY					
Inner lens	Aspherical					
Focus	Non-adjustable					
Dimensions	Φ11mm x 21mm					
AR coating transmission	>95%					
Connector	FC/PC (X=FC)		FC/PC (X=FC), SMA905 (X=SMA)			
Fiber core diameter (um)	Single mode		Multimode			
	4 (Y=4)	9 (Y=9)	50 (Y=50)	100 (Y=100)	200 (Y=200)	400 (Y=400)
Beam diameter at aperture	~2mm		~4mm	~4mm	~5mm	~5mm
Beam divergence, full angle	~1mrad		~4mrad	~8mrad	~16mrad	~31mrad

OUTLINE DIMENSIONS



Note:

- The specifications subject to change without notice.



www.lasermate.com

Lasermate Group, Inc.
19608 Camino De Rosa
Walnut, CA 91789 USA
Tel: (909)718-0999
Fax: (909)718-0998
sales@lasermate.com
www.lasermate.com