



405nm-808nm Fiber Coupled Laser Modules, 400um Fiber, Rectangular Package, 90-264VAC Driver

FCM-V Series



Overview

The FCM-V series fiber coupled laser modules are available in a wide range of wavelengths from 405nm to 808nm and output power levels up to 100mW. The laser module features wide temperature operation and high reliability. The laser is commonly used in orientation, alignment, measurement, and many other applications.

Features

- Wavelength range: 405-808nm
- Rectangular package
- 400um MM fiber core diameter
- 90-264VAC driver
- <5% power stability
- High reliability

Applications

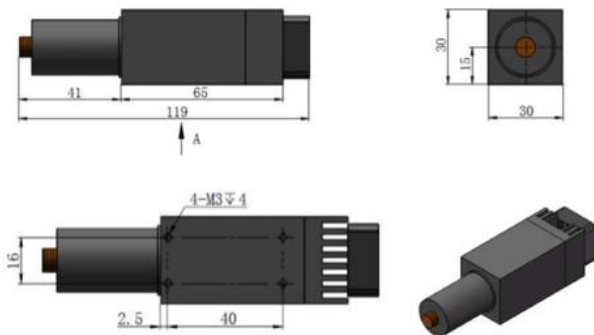
- Orientation
- Alignment
- Measurement

Specifications

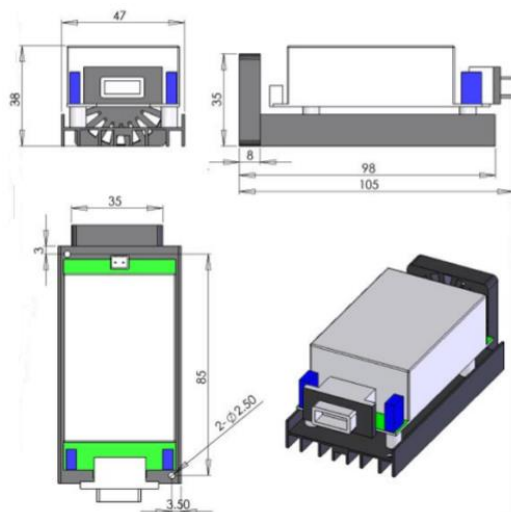
| | | |
|----------------------------|--|---------------------------------------|
| Model Number | FCM-WV-PXY400 | |
| Wavelength (nm) | 405 (W=405), 447 (W=447), 450 (W=450), 520 (W=520), 532 (W=532), 635 (W=635), 637 (W=637), 640 (W=640), 655 (W=655), 658 (W=658), 808 (W=808) | |
| Output power (mW) | For 405nm/447nm/450nm/520nm/532nm/635nm/640nm: ~50 For 655nm/658nm/808nm: ~100 | |
| Transverse mode | TEM ₀₀ | |
| Fiber | 400um core diameter | |
| Type of connector | FC (Y=FC) or SMA905 (Y=SMA) | |
| Operating mode | CW | |
| Power stability (rms) | <5%, over 4 hours at constant temperature after warmup | |
| Operating temperature (°C) | 15-30 | |
| Dimensions of laser | 119(L) x30(W) x 30(H) mm ³ | |
| Driver | Input voltage | 90-264VAC |
| | Dimensions | 105(L) x47(W) x 38(H) mm ³ |
| | Weight | 0.2kg |
| Expected lifetime (hours) | 10000 | |
| Warranty period | 4 months | |

Outline Dimensions (unit: mm)

Laser Module



Driver



Additional Notes

- The FCM-V series laser modules are designated solely as OEM components for incorporation into the customer's end products. Therefore, it is the customer's responsibility to comply with the appropriate requirements of FDA 21CFR, section 1040.10 and 1040.11 for complete laser products. For the code of FDA regulations, please refer to [FDA Performance Standards for Light-Emitting Products](#) for detailed information.
- Specifications are subject to change without notice.



www.lasermate.com

Lasermate Group, Inc.
19608 Camino De Rosa
Walnut, CA 91789 USA
Tel: (909)718-0999
Fax: (909)718-0998
sales@lasermate.com
www.lasermate.com