



405nm-808nm Fiber Coupled Laser Modules, 400um Fiber, Dia. 30mm, 5VDC, No TEC

FCM Series



Overview

The FCM series fiber coupled laser modules are available in a wide range of wavelengths from 405nm to 808nm and output power levels up to 100mW. The MM fiber coupled laser modules feature wide temperature operation (no TEC), high reliability and low cost. The laser is commonly used in orientation, alignment, measurement, and many other applications.

Features

- Wavelength range: 405-808nm
- Diameter: Φ 30mm
- 400um MM fiber core diameter
- 5VDC PCB driver
- <5% power stability
- High reliability
- No TEC

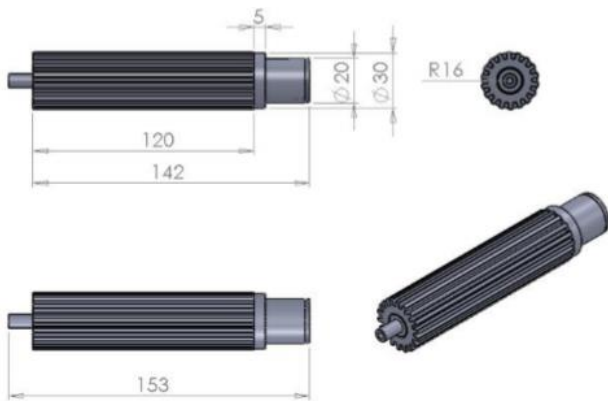
Applications

- Orientation
- Alignment
- Measurement

Specifications

Model Number	FCM-W-PXY400
Wavelength (nm)	405 (W=405), 447 (W=447), 450 (W=450), 532 (W=532), 589 (W=589), 635 (W=635), 637 (W=637), 640 (W=640), 655 (W=655), 658 (W=658), 808 (W=808)
Output power (mW)	For 405nm/447nm/532nm/589nm: ~50 (X=50) For 635nm/637nm/640nm/655nm/658nm/808nm: ~100 (X=100)
Fiber	400um core diameter
Type of connector	FC (Y=FC) or SMA905 (Y=SMA)
Operating mode	CW
Power stability (rms)	<5%, over 4 hours at constant temperature after warmup
Operating temperature (°C)	15-30
Dimensions of laser	∅30mm x 153mm For 589nm: ∅58mm x 250mm
PCB Driver	5VDC
Expected lifetime (hours)	10000
Warranty period	4 months

Outline Dimensions (unit: mm)



For 589nm:



Additional Notes

- The FCM series laser modules are designated solely as OEM components for incorporation into the customer's end products. Therefore, it is the customer's responsibility to comply with the appropriate requirements of FDA 21CFR, section 1040.10 and 1040.11 for complete laser products. For the code of FDA regulations, please refer to [FDA Performance Standards for Light-Emitting Products](#) for detailed information.
- Specifications are subject to change without notice.



Lasermate Group, Inc.
19608 Camino De Rosa
Walnut, CA 91789 USA
Tel: (909)718-0999
Fax: (909)718-0998
sales@lasermate.com
www.lasermate.com