



2.5Gbps TX:1490nm/RX:1310nm SMF 40km BiDi SFP LC Optical Transceiver

CS4T3-48H-3M-Tx-L



DESCRIPTION

The CS4T3-48H-3M-Tx-L bi-directional SFP (Small Form Pluggable) transceivers are designed for use in 2.5Gbps links up to 40km over a single strand single-mode fiber.

FEATURES

- Compliant with SFF8472 diagnostic monitoring interface
- Simplex LC connector
- Differential inputs and outputs
- Single power supply 3.3V
- Hot pluggable
- Class 1 laser product compliant with EN 60825-1
- Input/Output: AC/AC
- LOS: LVTTTL
- LD Type: 1490 DFB

APPLICATIONS

- Single-mode core fiber backbone links up to 40km
- 2500M / OC48 / STM-16

PRODUCT OVERVIEW

PART NUMBER	OPERATING TEMPERATURE
CS4T3-48H-3M-TC-L	0°C to 70°C
CS4T3-48H-3M-TI-L	-40°C to 85°C

DIAGNOSTICS

PARAMETER	RANGE	ACCURACY	UNIT	CALIBRATION
Module Internal Temperature	-40 to 95	±3	°C	External
Module Internal Voltage	3.1 to 3.5	±0.1	V	
Bias Current	0 to 100	±10%	mA	
TX Power	-5 to +6	±3 dB	dBm	
RX Power	-23 to 0	±3 dB	dBm	

ABSOLUTE MAXIMUM RATINGS

PARAMETER	SYMBOL	MIN	MAX	UNIT	NOTES
Storage Temperature	T _S	-40	85	°C	
Supply Voltage	V _{CC}	-0.5	4.0	V	
Input Voltage	V _{IN}	-0.5	V _{CC}	V	

RECOMMENDED OPERATING CONDITIONS

PARAMETER	SYMBOL	MIN	MAX	UNIT	NOTES
Case Operating Temperature	T _C	0	70	°C	CS4T3-48H-3M-TC-L
		-40	85		CS4T3-48H-3M-TI-L
Supply Voltage	V _{CC}	3.1	3.5	V	
Supply Current	I _{TX} + I _{RX}	-	250	mA	

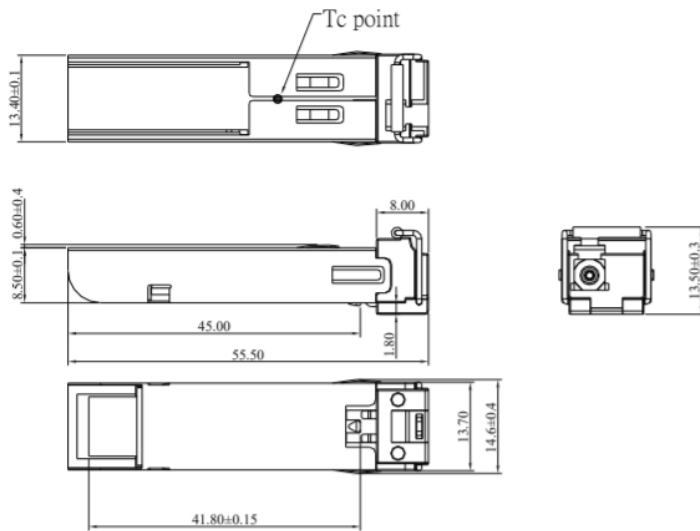
TRANSMITTER ELECTRO-OPTICAL CHARACTERISTICS (V_{CC} = 3.1V to 3.5V, T_C = 0°C to 70°C, -40°C to 85°C)

PARAMETER	SYMBOL	MIN	TYP.	MAX	UNIT	NOTES
Bit Rate	B	-	2488	-	Mbps	
Output Optical Power 9/125um fiber	P _{out}	-2	-	+3	dBm	Average
Extinction Ratio	ER	6	-	-	dB	
Center Wavelength	λ _C	1480	1490	1500	nm	
Spectral Width (-20dB)	Δλ	-	-	0.6	nm	
Side Mode Suppression Ratio	SMSR	30			dB	
Output Eye	Compliant with Telcordia GR-253-CORE Issue 3 and ITU-T recommendation G-957					
Max. P _{out} TX-DISABLE Asserted	P _{OFF}	-	-	-45	dBm	
Differential Input Voltage	V _{DIFF}	0.4	-	2.0	V	

RECEIVER ELECTRO-OPTICAL CHARACTERISTICS (V_{CC} = 3.1V to 3.5V, T_C = 0°C to 70°C, -40°C to 85°C)

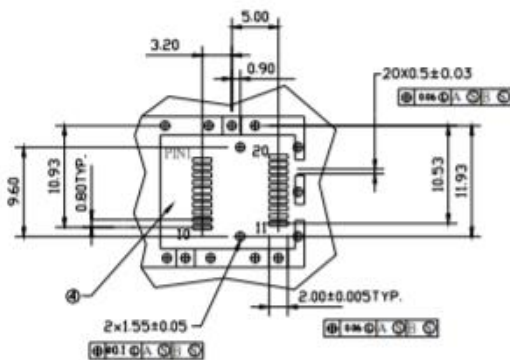
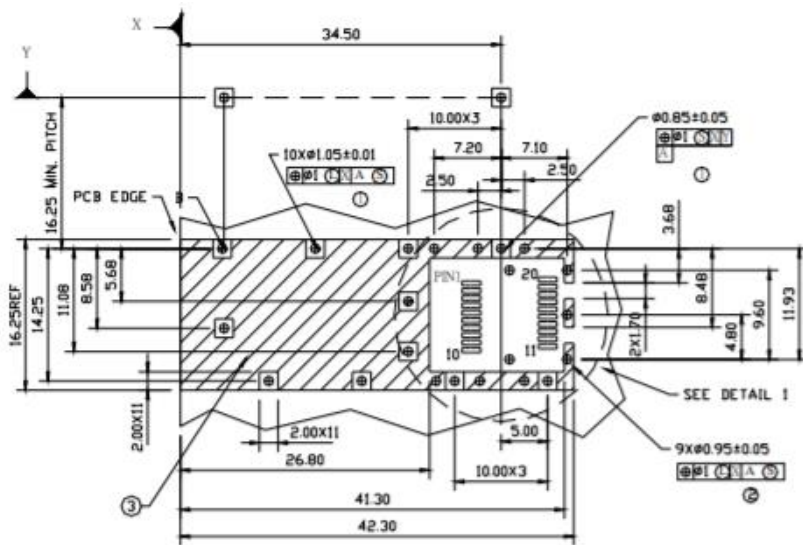
PARAMETER	SYMBOL	MIN	TYP.	MAX	UNIT	NOTES
Bit Rate	B	-	2488	-	Mbps	
Optical Input Power-Maximum	P _{IN}	0	-	-	dBm	BER<10 ⁻¹⁰
Optical Input Power-Minimum (Sensitivity)	P _{IN}	-	-	-23	dBm	BER<10 ⁻¹⁰
Operating Center Wavelength	λ _C	1260	-	1360	nm	
Optical Return Loss	ORL	14	-	-	dB	λ=1260~1360nm
LOS Asserted	P _A	-35	-	-	dBm	
LOS Deasserted	P _D	-	-	-23	dBm	
Differential Output Voltage	V _{DIFF}	0.5	-	1.2	V	
Receiver Loss of Signal Output Voltage-Low	RX_LOS _L	0	-	0.5	V	
Receiver Loss of Signal Output Voltage-High	RX_LOS _H	2.4	-	V _{CC}	V	

DIMENSIONS



DIMENSIONS ARE IN MILLIMETERS
ALL DIMENSIONS ARE ±0.2mm UNLESS OTHERWISE SPECIFIED

SFP HOST BOARD MECHANICAL LAYOUT

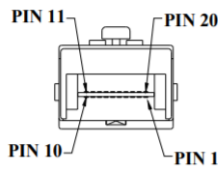


LEGEND

1. PADS AND VIAS ARE CHASSIS GROUND
2. THROUGH HOLES, PLATING OPTIONAL
3. HATCHED AREA DENOTES COMPONENT AND TRACE KEEPOUT (EXCEPT CHASSIS GROUND)
4. AREA DENOTES COMPONENT KEEPOUT (TRACES ALLOWED)

DIMENSIONS ARE IN MILLIMETERS

DETAIL I

PIN ASSIGNMENT

Pin	Signal Name	Description
1	T_{GND}	Transmit Ground
2	TX_FAULT	Transmit Fault
3	$TX_DISABLE$	Transmit Disable
4	$MOD_DEF (2)$	SDA Serial Data Signal
5	$MOD_DEF (1)$	SCL Serial Clock Signal
6	$MOD_DEF (0)$	TTL Low
7	$RATE_SELECT$	Open Circuit
8	RX_LOS	Receiver Loss of Signal, TTL High, open collector
9	R_{GND}	Receiver Ground
10	R_{GND}	Receiver Ground
11	R_{GND}	Receiver Ground
12	$RX-$	Receive Data Bar, Differential PECL, ac coupled
13	$RX+$	Receive Data, Differential PECL, ac coupled
14	R_{GND}	Receiver Ground
15	V_{CCR}	Receiver Power Supply
16	V_{CCT}	Transmitter Power Supply
17	T_{GND}	Transmitter Ground
18	$TX+$	Transmit Data, Differential PECL, ac coupled
19	$TX-$	Transmit Data Bar, Differential PECL, ac coupled
20	T_{GND}	Transmitter Ground

EYE SAFETY MARK

The single-mode transceiver is a class 1 laser product. It complies with EN 60825-1 and FDA 21 CFR 1040.10 and 1040.11. In order to meet laser safety requirements, the transceiver shall be operated within the Absolute Maximum Ratings.

Required Mark

Class 1 Laser Product
Complies with
21 CFR 1040.10 and 1040.11

[Caution] All adjustments have been done at the factory before the shipment of the devices. No maintenance and user serviceable part is required. Tampering with and modifying the performance of the device will result in voided product warranty.

ADDITIONAL NOTES

- Avoid eye or skin exposure to laser radiations.
- The device is sensitive to electro-static discharge (ESD). The device should be handled with ESD proof tools. To assemble the device on PCB, proper grounding is required to prevent ESD.
- Specifications are subject to change without notice.



Lasermate Group, Inc.
19608 Camino De Rosa
Walnut, CA 91789 USA
Tel: (909)718-0999
Fax: (909)718-0998
sales@lasermate.com
www.lasermate.com