



# 155Mbps TX:1310nm/RX:1550nm SMF 60km BiDi 1x9 SC Optical Transceiver

CS3T5-03B-3U-Px-C



## DESCRIPTION

The CS3T5-03B-3U-Px-C bi-directional 1x9 transceivers are designed for use in 155Mbps links up to 60km over a single strand single mode fiber.

## FEATURES

- RoHS compliant
- Compatible with 155 Mbps ATM and SONET OC-3 SDH STM-1
- Industry standard 1x9 footprint
- SC connector
- Single power supply 3.3V
- Differential PECL inputs and outputs
- Compatible with solder and aqueous wash processes
- Class 1 laser product compliant with EN 60825-1

## APPLICATIONS

- Single mode core fiber backbone links up to 60km
- L1.1 / Fast Ethernet

## PRODUCT OVERVIEW

The following table lists the available part numbers, as well as the form factor, connector type, and operating temperature of each of the part numbers.

| Part Number       | Form Factor | Connector | Operating Temperature |
|-------------------|-------------|-----------|-----------------------|
| CS3T5-03B-3U-PC-C | 1x9         | SC        | 0°C to 70°C           |
| CS3T5-03B-3U-PI-C | 1x9         | SC        | -40°C to 85°C         |

**ABSOLUTE MAXIMUM RATINGS**

| PARAMETER             | SYMBOL     | MIN  | MAX      | UNIT | NOTES               |
|-----------------------|------------|------|----------|------|---------------------|
| Storage Temperature   | $T_S$      | -40  | 85       | °C   |                     |
| Supply Voltage        | $V_{CC}$   | -0.5 | 4.0      | V    |                     |
| Input Voltage         | $V_{IN}$   | -0.5 | $V_{CC}$ | V    |                     |
| Output Current        | $I_o$      | -    | 50       | mA   |                     |
| Operating Current     | $I_{OP}$   | -    | 400      | mA   |                     |
| Soldering Temperature | $T_{SOLD}$ | -    | 260      | °C   | 10 seconds on leads |

**RECOMMENDED OPERATING CONDITIONS**

| PARAMETER                  | SYMBOL            | MIN | MAX | UNIT | NOTES             |
|----------------------------|-------------------|-----|-----|------|-------------------|
| Case Operating Temperature | $T_C$             | 0   | 70  | °C   | CS3T5-03B-3U-PC-C |
|                            |                   | -40 | 85  |      | CS3T5-03B-3U-PI-C |
| Supply Voltage             | $V_{CC}$          | 3.0 | 3.6 | V    |                   |
| Supply Current             | $I_{TX} + I_{RX}$ |     | 250 | mA   |                   |

**TRANSMITTER ELECTRO-OPTICAL CHARACTERISTICS ( $V_{CC} = 3.1V$  to  $3.5V$ ,  $T_C = 0^\circ C$  to  $70^\circ C$ ,  $-40^\circ C$  to  $85^\circ C$ )**

| PARAMETER                                   | SYMBOL  | MIN  | TYP. | MAX   | UNIT | NOTES   |
|---|---|------|------|-------|------|---------|
| Data Rate                                   | B   | 50   | 155  | 200   | Mbps |         |
| Output Optical Power 9/125um fiber          | $P_{out}$   | -5   | -    | 0     | dBm  | Average |
| Extinction Ratio                            | ER  | 10   | -    | -     | dB   |         |
| Center Wavelength                           | $\lambda_c$   | 1280 | 1310 | 1355  | nm   |         |
| Rise/Fall Time, 10%~90%                     | $T_{r,f}$   | -    | 1    | 2     | ns   |         |
| Output Eye                                  | Compliant with Telcordia GR-253-CORE Issue 3 and ITU-T recommendation G-957 |      |      |       |      |         |
| Data Input Current-Low                      | $I_{IL}$  | -350 | -    | -     | uA   |         |
| Data Input Current-High                     | $I_{IH}$  | -    | -    | 350   | uA   |         |
| Transmitter Data Input Voltage-High         | $V_{IH} - V_{CC}$   | -1.1 | -    | -0.74 | V    | Note 1  |
| Transmitter Data Input Voltage-Low          | $V_{IL} - V_{CC}$   | -2.0 | -    | -1.58 | V    | Note 1  |
| Transmitter Data Input Differential Voltage | $V_{DIFF}$  | 0.3  | -    | 1.6   | V    | Note 1  |

**Note 1:** These inputs are compatible with 10K, 10KH and 100K ECL and PECL input.

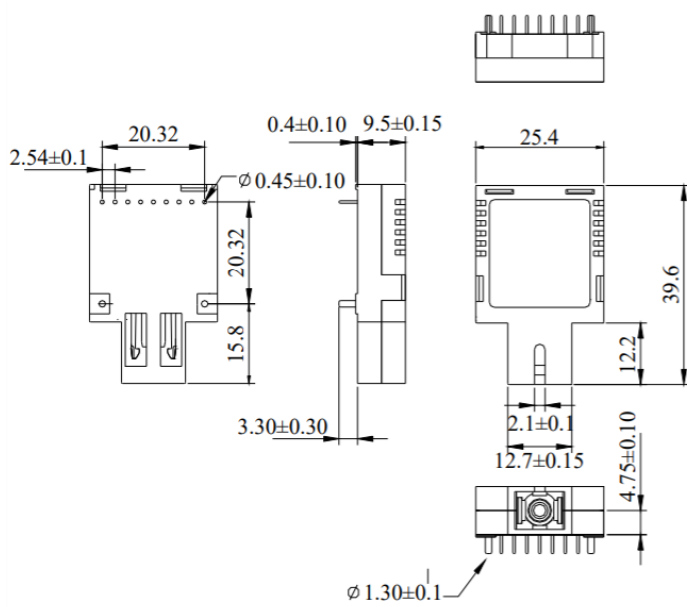
**RECEIVER ELECTRO-OPTICAL CHARACTERISTICS ( $V_{CC} = 3.1V$  to  $3.5V$ ,  $T_C = 0^\circ C$  to  $70^\circ C$ ,  $-40^\circ C$  to  $85^\circ C$ )**

| PARAMETER                                 | SYMBOL            | MIN  | TYP. | MAX   | UNIT | NOTES                     |
|---|-------------------|------|------|-------|------|---------------------------|
| Data Rate                                 | B                 | 50   | 155  | 200   | Mbps |                           |
| Optical Input Power-Maximum               | $P_{IN}$          | 0    | -    | -     | dBm  | Note 1                    |
| Optical Input Power-Minimum (Sensitivity) | $P_{IN}$          | -    | -    | -34   | dBm  | Note 1                    |
| Operating Center Wavelength               | $\lambda_c$       | 1480 | -    | 1600  | nm   |                           |
| Return Loss                               | RL                | -    | -    | -14   | dB   | $\lambda=1480\sim 1600nm$ |
| Signal Detect-Asserted                    | $P_A$             | -    | -    | -34   | dBm  | Average                   |
| Signal Detect-Deasserted                  | $P_D$             | -45  | -    | -     | dBm  | Average                   |
| Signal Detect-Hysteresis                  | $P_A - P_D$       | 1.0  | -    | -     | dB   |                           |
| Signal Detect Output Voltage-High         | $V_{OH} - V_{CC}$ | -1.1 | -    | -0.74 | V    | Note 2                    |
| Signal Detect Output Voltage-Low          | $V_{OL} - V_{CC}$ | -2.0 | -    | -1.58 | V    | Note 2                    |
| Crosstalk                                 | CRT               | -    | -    | -45   | dB   |                           |
| Data Output Rise, Fall Time               | $T_{r,f}$         | -    | 1    | 2     | ns   |                           |
| Data Output Voltage-High                  | $V_{OH} - V_{CC}$ | -1.1 | -    | -0.74 | V    | Note 2                    |
| Data Output Voltage-Low                   | $V_{OL} - V_{CC}$ | -2.0 | -    | -1.58 | V    | Note 2                    |

**Note 1:** The input data is at 155.52 Mbps,  $2^{23} - 1$  PRBS data pattern with 72 "1"s and 72 "0"s inserted per the ITU-T recommendation G.958 Appendix 1. The receiver is guaranteed to provide output data with Bit Error Rate (BER) better than or equal to  $1 \times 10^{-10}$ .

**Note 2:** These outputs are compatible with 10K, 10KH and 100K ECL and PECL input.

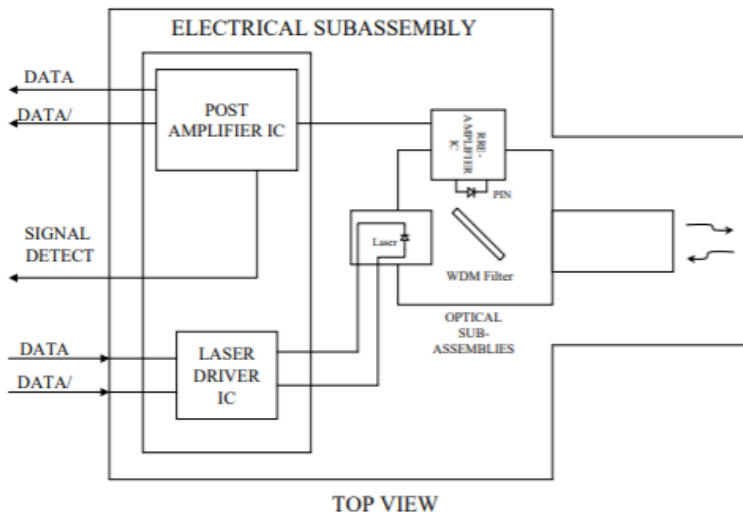
**DRAWING DIMENSIONS**



ALL DIMENSIONS ARE ±0.20mm UNLESS OTHERWISE SPECIFIED

Unit : mm

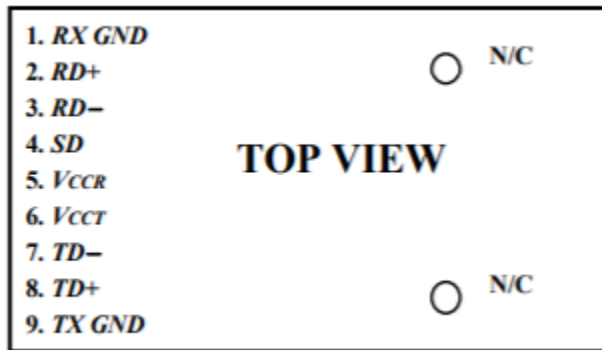
**BLOCK DIAGRAM OF TRANSCEIVER**



**Transmitter and Receiver Optical Sub-Assembly Section** - A 1310 nm InGaAsP laser and an InGaAs PIN photodiode integrate with an WDM filter to form a bi-directional single fiber optical subassembly (OSA). The laser of OSA is driven by a LD driver IC which converts differential input LVPECL logic signals into an analog laser driving current. The photodiode of OSA is connected to a circuit providing post-amplification quantization, and optical signal detection.

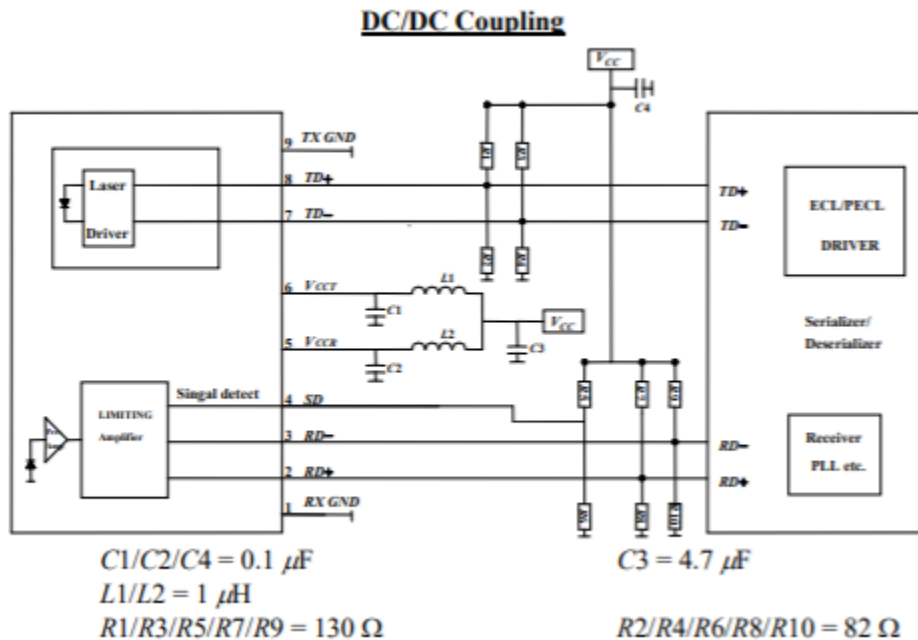
**Receiver Signal Detect** - Signal Detect is a basic fiber failure indicator. This is a single-ended LVPECL output. As the input optical power is decreased, Signal Detect will switch from high to low (deassert point) somewhere between sensitivity and the no light input level. As the input optical power is increased from very low levels, Signal Detect will switch back from low to high (assert point). The assert level will be at least 1.0 dB higher than the deassert level.

## CONNECTION DIAGRAM



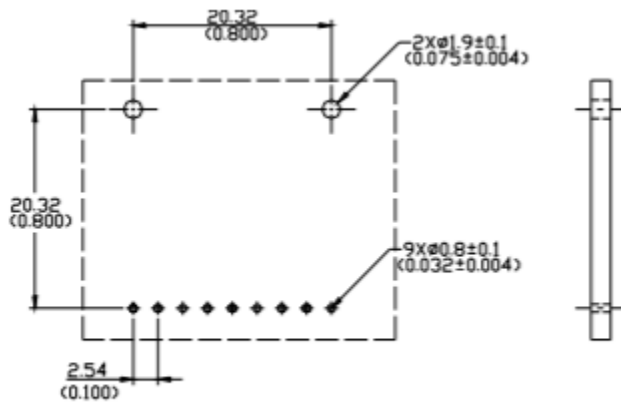
| PIN | SYMBOL        | DESCRIPTION  |
|-----|---------------|--|
| 1   | <i>RX GND</i> | Receiver Signal Ground, Directly connect this pin to the receiver ground plane   |
| 2   | <i>RD+</i>    | <i>RD+</i> is an open-emitter output circuit.<br>Terminate this high-speed differential LVPECL output with standard LVPECL techniques at the follow-on device input pin. (See recommended circuit schematic)   |
| 3   | <i>RD-</i>    | <i>RD-</i> is an open-emitter output circuit.<br>Terminate this high-speed differential LVPECL output with standard LVPECL techniques at the follow-on device input pin. (See recommended circuit schematic)   |
| 4   | <i>SD</i>     | Signal Detect.<br>Normal optical input levels to the receiver result in a logic “1” output, $V_{OH}$ asserted. Low input optical levels to the receiver result in a fault condition indicated by a logic “0” output $V_{OL}$ , deasserted. Signal Detect is a single-ended LVPECL output. <i>SD</i> can be terminated with LVPECL techniques via $50\ \Omega$ to $V_{CCR} - 2\ \text{V}$ . Alternatively, <i>SD</i> can be loaded with a $180\ \Omega$ resistor to <i>RX GND</i> to conserve electrical power with small compromise to signal quality. If Signal Detect output is not used, leave it open-circuited. This Signal Detect output can be used to drive a LVPECL input on an upstream circuit, such as, Signal Detect input or Loss of Signal-bar. |
| 5   | <i>VCCR</i>   | Receiver Power Supply<br>Provide +3.3 Vdc via the recommended receiver power supply filter circuit. Locate the power supply filter circuit as close as possible to the <i>VCCR</i> pin.  |
| 6   | <i>VCT</i>    | Transmitter Power Supply<br>Provide +3.3 Vdc via the recommended transmitter power supply filter circuit. Locate the power supply filter circuit as close as possible to the <i>VCT</i> pin.   |
| 7   | <i>TD-</i>    | Transmitter Data In-Bar<br>Terminate this high-speed differential LVPECL input with standard LVPECL techniques at the transmitter input pin. (See recommended circuit schematic)   |
| 8   | <i>TD+</i>    | Transmitter Data In<br>Terminate this high-speed differential LVPECL input with standard LVPECL techniques at the transmitter input pin. (See recommended circuit schematic)   |
| 9   | <i>TX GND</i> | Transmitter Signal Ground<br>Directly connect this pin to the transmitter signal ground plane. Directly connect this pin to the transmitter ground plane.  |

## RECOMMENDED CIRCUIT SCHEMATIC



In order to get proper functionality, a recommended circuit is provided in above recommended circuit schematic. When designing the circuit interface, there are a few fundamental guidelines to follow.

- (1) The differential data lines should be treated as 50  $\Omega$  Micro strip or strip line transmission lines. This will help to minimize the parasitic inductance and capacitance effects. Locate termination at the received signal end of the transmission line. The length of these lines should be kept short and of equal length.
- (2) For the high speed signal lines, differential signals should be used, not single-ended signals, and these differential signals need to be loaded symmetrically to prevent unbalanced currents which will cause distortion in the signal.
- (3) Multi layer plane PCB is best for distribution of VCC, returning ground currents, forming transmission lines and shielding. Also, it is important to suppress noise from influencing the fiber-optic transceiver performance, especially the receiver circuit.
- (4) A separate proper power supply filter circuits shown in Figure for the transmitter and receiver sections. These filter circuits suppress VCC noise over a broad frequency range, this prevents receiver sensitivity degradation due to VCC noise.
- (5) Surface-mount components are recommended. Use ceramic bypass capacitors for the 0.1  $\mu\text{F}$  capacitors and a surface-mount coil inductor for 1  $\mu\text{H}$  inductor. Ferrite beads can be used to replace the coil inductors when using quieter VCC supplies, but a coil inductor is recommended over a ferrite bead. All power supply components need to be placed physically next to the VCC pins of the receiver and transmitter.
- (6) Use a good, uniform ground plane with a minimum number of holes to provide a low-inductance ground current return for the power supply currents.

**RECOMMENDED BOARD LAYOUT HOLE PATTERN**

Unit : mm(inches)

This transceiver is compatible with industry standard wave or hand solder processes. After wash process, all moisture must be completely removed from the module. The transceiver is supplied with a process plug to prevent contamination during wave solder and aqueous rinse as well as during handling, shipping or storage.

Solder fluxes should be water-soluble, organic solder fluxes. Recommended cleaning and degreasing chemicals for these transceivers are alcohol's (methyl, isopropyl, isobutyl), aliphatics (hexane, heptane) and other chemicals, such as soap solution or naphtha. Do not use partially halogenated hydrocarbons for cleaning/degreasing.

**EYE SAFETY MARK**

The single mode transceiver is a class 1 laser product. It complies with EN 60825-1 and FDA 21 CFR 1040.10 and 1040.11. In order to meet laser safety requirements, the transceiver shall be operated within the Absolute Maximum Ratings.

**Required Mark**

Class 1 Laser Product  
Complies with  
21 CFR 1040.10 and 1040.11

**[Caution]** All adjustments have been done at the factory before the shipment of the devices. No maintenance and user serviceable part is required. Tampering with and modifying the performance of the device will result in voided product warranty.

## Additional Notes

- Avoid eye or skin exposure to laser radiations.
- The device is sensitive to electro-static discharge (ESD). The device should be handled with ESD proof tools. To assemble the device on PCB, proper grounding is required to prevent ESD.
- Specifications are subject to change without notice.



[www.lasermate.com](http://www.lasermate.com)

**Lasermate Group, Inc.**  
19608 Camino De Rosa  
Walnut, CA 91789 USA  
Tel: (909)718-0999  
Fax: (909)718-0998  
[sales@lasermate.com](mailto:sales@lasermate.com)  
[www.lasermate.com](http://www.lasermate.com)