



10GBASE-BX TX:1330nm/RX:1270nm SMF 40km BiDi XFP (10Gbps SFP) LC Optical Transceiver

CS3T2-X-3L-Tx-L



DESCRIPTION

The CS3T2-X-3L-Tx-L bi-directional XFP optical transceivers are designed for use in 10Gb/s optical data communications application, using 1330nm transmitter and 1270nm receiver and provides up to 40km link distance over a single-strand single mode fiber. They are compliant with XFP MSA INF-8077i. The optical transceiver is RoHS compliant.

FEATURES

- 10G Base Ethernet, SONET OC192 and SDH STM-64 application
- 16dB power budget, Bi-direction link distance up to 40km
- Simplex LC connector
- Power consumption <1.5W
- Compliant with XFP MSA INF-8077i
- Differential CML inputs and outputs
- Hot pluggable
- Single power supply 3.3V
- TTL signal detect indicator
- Class 1 laser product compliant with EN 60825-1
- Input/Output: AC/AC

APPLICATIONS

- 10GBASE-BX at 10.3125/11.3 Gb/s
- 10GBASE-BX at 9.95 Gb/s

PRODUCT OVERVIEW

| PART NUMBER | INPUT/OUTPUT | SIGNAL DETECT | VOLTAGE | OPERATING TEMPERATURE |
|-----------------|--------------|---------------|---------|-----------------------|
| CS3T2-X-3L-TC-L | AC/AC | TTL | 3.3V | 0 to 70°C |
| CS3T2-X-3L-TM-L | AC/AC | TTL | 3.3V | -25 to 85°C |
| CS3T2-X-3L-TI-L | AC/AC | TTL | 3.3V | -45 to 85°C |

ABSOLUTE MAXIMUM RATINGS

| PARAMETER | SYMBOL | MIN | MAX | UNIT |
|---------------------|-----------------|------|-----------------|------|
| Storage Temperature | T _S | -40 | 85 | °C |
| Supply Voltage | V _{CC} | -0.5 | 4.0 | V |
| Input Voltage | V _{IN} | -0.5 | V _{CC} | V |

RECOMMENDED OPERATING CONDITIONS

| PARAMETER | SYMBOL | MIN | MAX | UNIT | NOTES |
|----------------------------|-----------------------------------|-----|-----|------|-----------------|
| Case Operating Temperature | T _C | 0 | 70 | °C | CS3T2-X-3L-TC-L |
| | | -25 | 85 | | CS3T2-X-3L-TM-L |
| | | -40 | 85 | | CS3T2-X-3L-TI-L |
| Supply Voltage | V _{CC} | 3.1 | 3.5 | V | |
| Supply Current | I _{TX} + I _{RX} | - | 600 | mA | |

DIAGNOSTICS

| DATA ADDRESS | PARAMETER | RANGE | ACCURACY |
|--------------|--------------|----------------|----------|
| 96-97 | Temperature | -40 to 80°C | ±3°C |
| 100-101 | Bias Current | 0 to 100mA | ±10% |
| 102-103 | TX Power | -1 to +7dBm | ±2dB |
| 104-105 | RX Power | -16 to +1.5dBm | ±2dB |
| 106-107 | Vcc3 Voltage | 3.0-3.6Volts | ±3% |

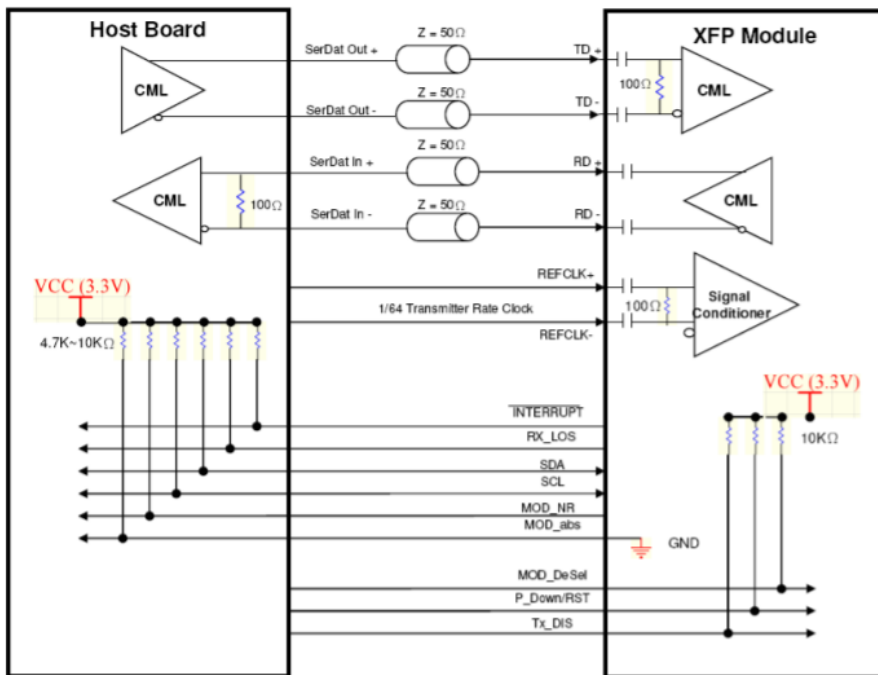
TRANSMITTER ELECTRO-OPTICAL CHARACTERISTICS (V_{CC} = 3.1V to 3.5V, T_C = 0 to 70°C, -25 to 85°C, -45 to 85°C)

| PARAMETER | SYMBOL | MIN | TYP. | MAX | UNIT | NOTES |
|------------------------------------|--------------------------|--------------|------|-----------------|-------|-------|
| Operating Data Rate | D | 9.95 | | 11.3 | Gbps | |
| Input Reference Clock Rate | | Not required | | | | |
| Output Optical Power | P _{out} | +1 | - | +5 | dBm | |
| Center Wavelength | λ _C | 1320 | | 1340 | nm | |
| Spectral Width (-20dB) | Δλ | | | 1 | nm | |
| Side Mode Suppression Ratio | SSR _{min} | 30 | | | dB | |
| Transmitter and Dispersion Penalty | Tdp | | | 3.2 | dB | |
| Relative Intensity Noise | RIN | - | - | -128 | dB/Hz | |
| Differential Input Voltage | V _{DIFF} | 0.25 | - | 1.0 | V | |
| Transmit Fault Output-Low | TX_FAULT _L | 0.0 | - | 0.5 | V | |
| Transmit Fault Output-High | TX_FAULT _H | 2.4 | - | V _{CC} | V | |
| TX_DISABLE Assert Time | t _{off} | - | - | 10 | us | |
| TX_DISABLE Negate Time | t _{on} | - | - | 2 | ms | |
| Time to initialize | t _{init} | - | - | 300 | ms | |
| Interrupt assert delay | Interrupt _{on} | - | - | 200 | ms | |
| Interrupt negate delay | Interrupt _{off} | - | - | 500 | us | |
| P_Down/RST assert delay | P_Down/RST _{on} | | | 100 | us | |
| Mod_NR assert delay | Mod_nr _{on} | | | 1 | ms | |
| Mod_NR negate delay | Mod_nr _{off} | | | 1 | ms | |
| P-Down reset time | | 10 | | | us | |
| RX_LOS assert delay | t _{loss_on} | | | 100 | us | |
| RX_LOS negate delay | t _{loss_off} | | | 100 | us | |

RECEIVER ELECTRO-OPTICAL CHARACTERISTICS ($V_{CC} = 3.1V$ to $3.5V$, $T_c = 0$ to $70^\circ C$, -25 to $85^\circ C$, -45 to $85^\circ C$)

| PARAMETER | SYMBOL | MIN | TYP. | MAX | UNIT | NOTES |
|---|-----------------|------|------|----------|------|-----------------|
| Receiver Overload | | 0.5 | - | - | dBm | BER< 10^{-12} |
| Receiver Sensitivity | P_{IN} | - | - | -15 | dBm | BER< 10^{-12} |
| Operating Center Wavelength | λ_C | 1260 | - | 1280 | nm | |
| Optical Return Loss | ORL | 14 | - | - | dB | |
| Loss of Signal-Asserted | P_A | -30 | - | - | dBm | |
| Loss of Signal-Deasserted | P_D | - | - | -18 | dBm | |
| Differential Output Voltage | V_{DIFF} | 0.5 | 0.65 | 0.8 | V | |
| TTL Input High Voltage | | 2 | | V_{CC} | V | |
| TTL Input Low Voltage | | 0 | | 0.8 | V | |
| TTL Output High Voltage | | 2.4 | - | V_{CC} | V | |
| TTL Output Low Voltage | | 0 | - | 0.4 | V | |
| Receiver Loss of Signal Assert Time (off to on) | t_{A,RX_LOS} | - | - | 100 | us | |
| Receiver Loss of Signal Assert Time (on to off) | t_{D,RX_LOS} | - | - | 100 | us | |

BLOCK DIAGRAM OF TRANSCEIVER



MOD_NR

The Mod_NR is an output pin that when High, indicates that the module has detected a condition that renders transmitter and or receiver data invalid, shall consist of logical OR of the following signals:

- Transmit Signal Conditioner Loss of Lock
- Transmitter Laser Fault
- Receiver Signal Conditioner Loss of Lock

MOD_DESEL

The Mod_DeSel is an input pin. When held Low by the host, the module responds to 2-wire serial communication commands. The Mod_DeSel allows the use of multiple XFP modules on a single 2-wire interface bus. When the Mod_DeSel pin is “High”, the module shall not respond to or acknowledge any 2-wire interface communication from the host.

Interrupt

Interrupt is an output pin. When “Low”, indicates possible module operational fault or a status critical to the host system.

TX_DIS

TX_DIS is an input pin. When TX_DIS is asserted High, the XFP module transmitter output must be turned off.

MOD_ABS

Mod_ABS is pulled up to Host_Vcc on the host board and grounded in the XFP module. Mod_ABS is then asserted “High” when the XFP module is physically absent from a host slot.

RX_LOS

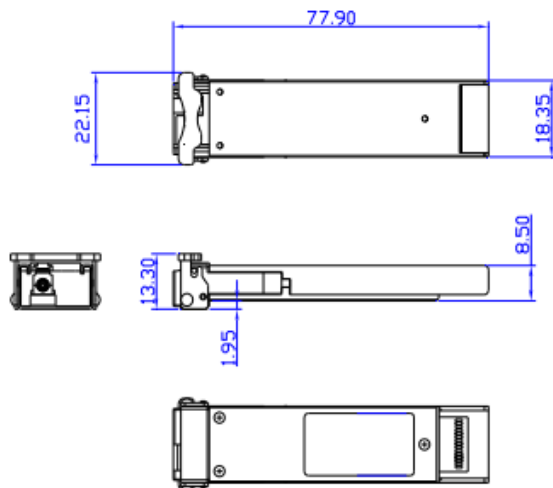
The RX_LOS when High indicates insufficient optical power for reliable signal reception.

P_DOWN/RST

This is a multifunction pin for module Power Down and Reset. The P_Down/RST pin must be pulled up to VCC3 in the XFP module.

POWER DOWN FUNCTION

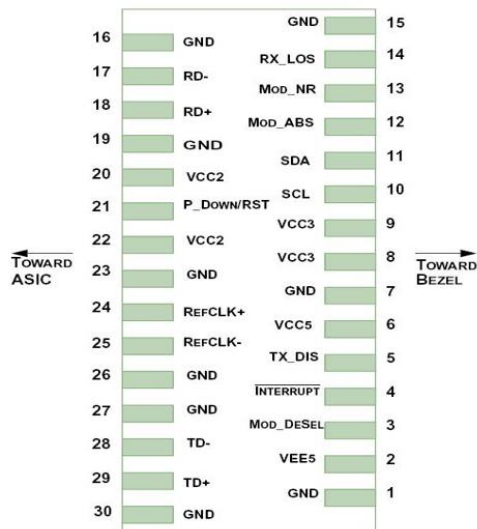
The P_Down pin, when held High by the host, places the module in the standby (Low Power) mode with a maximum power dissipation of 1.5W. This protects hosts which are not capable of cooling higher power modules which may be accidentally inserted.

DIMENSIONS

DIMENSIONS ARE IN MILLIMETERS

ALL DIMENSIONS ARE $\pm 0.2\text{mm}$ UNLESS OTHERWISE SPECIFIED

PIN ASSIGNMENT



| Pin | Logic | Symbol | Name/Description | Note |
|-----|-----------|------------|---|------|
| 1 | | GND | Module Ground | 1 |
| 2 | | VEE5 | Optional -5.2V Power Supply | |
| 3 | LVTTL-I | Mod_DeSel | Module De-select; When held low allows module to respond to 2-wire serial interface | |
| 4 | LVTTL-O | Interrupt | Interrupt; Indicates presence of an important condition which can be read over the 2-wire serial interface | 2 |
| 5 | LVTTL-I | TX_DIS | Transmitter Disable; Turns off transmitter laser output | |
| 6 | | VCC5 | +5V Power Supply | |
| 7 | | GND | Module Ground | 1 |
| 8 | | VCC3 | +3.3V Power Supply | |
| 9 | | VCC3 | +3.3V Power Supply | |
| 10 | LVTTL-I/O | SCL | 2-Wire Serial Interface Clock | 2 |
| 11 | LVTTL-I/O | SDA | 2-Wire Serial Interface Data Line | 2 |
| 12 | LVTTL-O | Mod_Abs | Indicates Module is not present. Grounded in the Module | 2 |
| 13 | LVTTL-O | Mod_Nr | Module Not Ready; Indicating Module Operational Fault | 2 |
| 14 | LVTTL-O | RX_LOS | Receiver Loss Of Signal Indicator | 2 |
| 15 | | GND | Module Ground | 1 |
| 16 | | GND | Module Ground | 1 |
| 17 | CML-O | RD- | Receiver Inverted Data Output | |
| 18 | CML-O | RD+ | Receiver Non-Inverted Data Output | |
| 19 | | GND | Module Ground | 1 |
| 20 | | VCC2 | +1.8V Power Supply | 3 |
| 21 | LVTTL-I | P_Down/RST | Power down; When high, requires the module to limit power consumption to 1.5W or below. 2-Wire serial interface must be functional in the low power mode. Reset; The falling edge initiates a complete reset of the module including the 2-wire serial interface, equivalent to a power cycle. | |
| 22 | | VCC2 | +1.8V Power Supply | 3 |
| 23 | | GND | Module Ground | 1 |
| 24 | PECL-I | RefCLK+ | Reference Clock Non-Inverted Input, AC coupled on the host board | |
| 25 | PECL-I | RefCLK- | Reference Clock Inverted Input, AC coupled on the host board | |
| 26 | | GND | Module Ground | 1 |
| 27 | | GND | Module Ground | 1 |
| 28 | CML-I | TD- | Transmitter Inverted Data Input | |
| 29 | CML-I | TD+ | Transmitter Non-Inverted Data Input | |
| 30 | | GND | Module Ground | 1 |

1. Module ground pins Gnd are isolated from the module case and chassis ground within the module.
 2. Shall be pulled up with 4.7K-10Kohms to a voltage between 3.15V and 3.45V on the host board.
 3. The 1.8 V power supply can be optionally programmed to voltages lower than 1.8 V in modules supporting the variable power supply.

EYE SAFETY MARK

The single mode transceiver is a class 1 laser product. It complies with EN 60825-1 and FDA 21 CFR 1040.10 and 1040.11. In order to meet laser safety requirements, the transceiver shall be operated within the Absolute Maximum Ratings.

Required Mark

Class 1 Laser Product
Complies with
21 CFR 1040.10 and 1040.11

[Caution] All adjustments have been done at the factory before the shipment of the devices. No maintenance and user serviceable part is required. Tampering with and modifying the performance of the device will result in voided product warranty.

ADDITIONAL NOTES

- Avoid eye or skin exposure to laser radiations.
- The device is sensitive to electro-static discharge (ESD). The device should be handled with ESD proof tools. To assemble the device on PCB, proper grounding is required to prevent ESD.
- Specifications are subject to change without notice.



Lasermate Group, Inc.
19608 Camino De Rosa
Walnut, CA 91789 USA
Tel: (909)718-0999
Fax: (909)718-0998
sales@lasermate.com
www.lasermate.com