



# 10GBASE-BX TX:1270nm/RX:1330nm SMF 20km BiDi SFP+ LC Optical Transceiver

## 10G2T3-MSFPx-L



### DESCRIPTION

The 10G2T3-MSFPx-L Enhanced Small Form Pluggable SFP+ optical transceivers are RoHS compliant and designed for use in 10 Gigabit Ethernet links up to 20km over a single strand single-mode fiber. They are compliant with SFF 8432, EN 60825-1, and Telcordia (Bellcore) GR-468-CORE.

### FEATURES

- 10.3125Gbps application
- Compliant with SFF 8432 SFP+ Module
- Simplex LC connector
- Single power supply 3.3V
- LVTTTL signal detect indicator
- Hot Pluggable
- Class 1 laser product compliant with EN 60825-1
- Reliability compliant with Telcordia (Bellcore) GR-468-CORE
- Input/Output: AC/AC

### APPLICATIONS

- 10G Base Ethernet
- SONET OC192
- SDH STM-64

### PRODUCT OVERVIEW

PART NUMBER	OPERATING TEMPERATURE
10G2T3-MSFPC-L	0°C to 70°C
10G2T3-MSFPI-L	-40°C to 85°C

**DIAGNOSTICS**

PARAMETER	RANGE	ACCURACY	UNIT	CALIBRATION
Internal Transceiver Temperature	-40 to 95	±3	°C	Internal
Internal Transceiver Voltage	3.1 to 3.5	±0.1	V	
Bias Current	0 to 100	±10%	mA	
TX Power	-2 to +2	±3	dB	
RX Average Power	-14 to 0	±3	dB	

**ABSOLUTE MAXIMUM RATINGS**

PARAMETER	SYMBOL	MIN	MAX	UNIT
Storage Temperature	T <sub>s</sub>	-40	85	°C
Supply Voltage	V <sub>CC</sub>	-0.5	4.0	V
Input Voltage	V <sub>IN</sub>	-0.5	V <sub>CC</sub>	V

**RECOMMENDED OPERATING CONDITIONS**

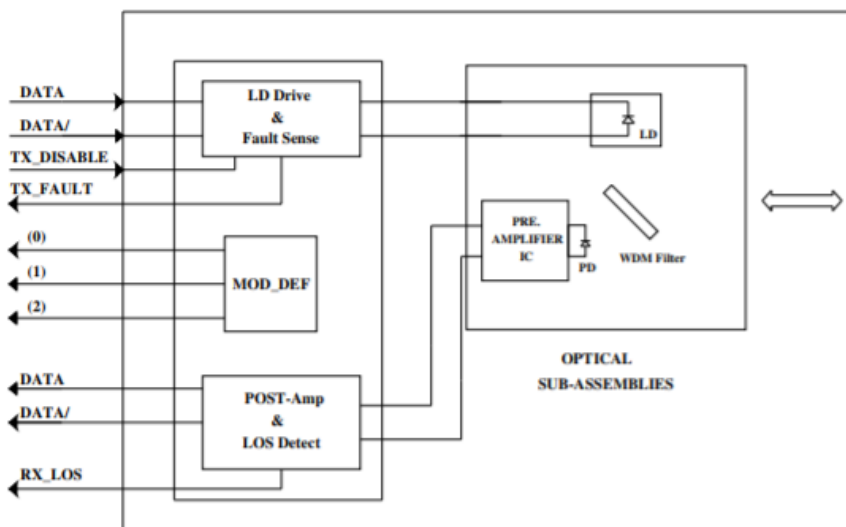
PARAMETER	SYMBOL	MIN	MAX	UNIT	NOTES
Case Operating Temperature	T <sub>c</sub>	0	70	°C	10G2T3-MSFPC-L
		-40	85		10G2T3-MSFPI-L
Supply Voltage	V <sub>CC</sub>	3.1	3.5	V	
Supply Current	I <sub>TX</sub> + I <sub>RX</sub>		300	mA	10G2T3-MSFPC-L
			350		10G2T3-MSFPI-L
Fiber		SMF (G.652)			
Distance	D	-	20	km	
Dispersion Penalty			2	dB	@20km

**TRANSMITTER ELECTRO-OPTICAL CHARACTERISTICS (V<sub>CC</sub> = 3.1V to 3.5V, T<sub>c</sub> = 0°C to 70°C, -40°C to 85°C)**

PARAMETER	SYMBOL	MIN	TYP.	MAX	UNIT	NOTES
Bit Rate	B	-	10.3125	-	Gbps	
Output Optical Power	P <sub>out</sub>	-2	-	2	dBm	Average
Extinction Ratio	ER	4.8	-	-	dB	
Center Wavelength	λ <sub>c</sub>	1260	1270	1280	nm	
Spectral Width (-20dB)	Δλ	-	-	1	nm	
Side Mode Suppression Ratio	SMSR	30			dB	
Max. P <sub>out</sub> TX-DISABLE Asserted	P <sub>OFF</sub>	-	-	-45	dBm	
Differential Input Voltage	V <sub>DIFF</sub>	180		850	mV	
Transmit Fault Output-Low	TX_FAULT <sub>L</sub>	0.0	-	0.5	V	
Transmit Fault Output-High	TX_FAULT <sub>H</sub>	2.4	-	V <sub>CC</sub>	V	
TX_DISABLE Assert Time	t <sub>off</sub>	-	-	100	μs	
TX_DISABLE Negate Time	t <sub>on</sub>	-	-	2	ms	
Time to Initialize, include reset of TX_FAULT	t <sub>init</sub>	-	-	300	ms	
TX_FAULT from fault to assertion	t <sub>fault</sub>	-	-	100	us	
TX_DISABLE Time to start reset	t <sub>reset</sub>	10	-	-	μs	

**RECEIVER ELECTRO-OPTICAL CHARACTERISTICS ( $V_{CC} = 3.1V$  to  $3.5V$ ,  $T_C = 0^{\circ}C$  to  $70^{\circ}C$ ,  $-40^{\circ}C$  to  $85^{\circ}C$ )**

PARAMETER	SYMBOL	MIN	TYP.	MAX	UNIT	NOTES
Bit Rate	B	-	10.3125	-	Gbps	
Optical Input Power-Maximum	$P_{IN}$	0	-	-	dBm	$BER < 10^{-12}$
Optical Input Power-Minimum (Sensitivity)	$P_{IN}$	-	-	-14	dBm	$BER < 10^{-12}$
Operating Center Wavelength	$\lambda_C$	1320	-	1340	nm	
Optical Return Loss	ORL	14	-	-	dB	
Loss of Signal-Asserted	$P_A$	-30	-	-	dBm	
Loss of Signal-Deasserted	$P_D$	-	-	-14	dBm	
Differential Output Voltage	$V_{DIFF}$	350	-	850	mV	
Receiver Loss of Signal Output Voltage-Low	RX_LOSL	0	-	0.5	V	
Receiver Loss of Signal Output Voltage-High	RX_LOSH	2.4	-	$V_{CC}$	V	
Receiver Loss of Signal Assert Time (off to on)	$t_{A,RX\_LOS}$	-	-	100	us	
Receiver Loss of Signal Assert Time (on to off)	$t_{D,RX\_LOS}$	-	-	100	us	

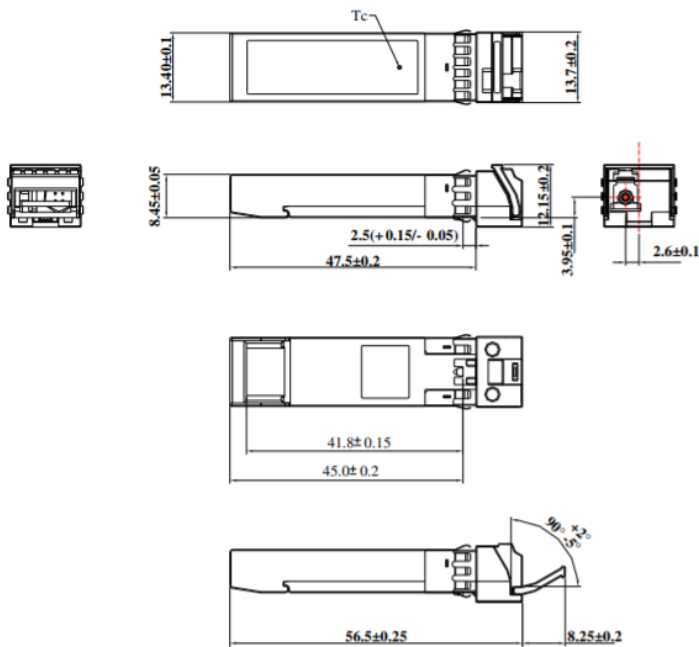
**BLOCK DIAGRAM OF TRANSCEIVER**

**Transmitter and Receiver Optical Sub-Assembly Section** - A 1270 nm InGaAsP laser and an InGaAs PIN photodiode integrate with a WDM filter to form a bi-directional single fiber optical subassembly (OSA). The laser of OSA is driven by a LD driver IC which converts differential input signals into an analog laser driving current. And, the photodiode of OSA is connected to a circuit providing post-amplification quantization, and optical signal detection.

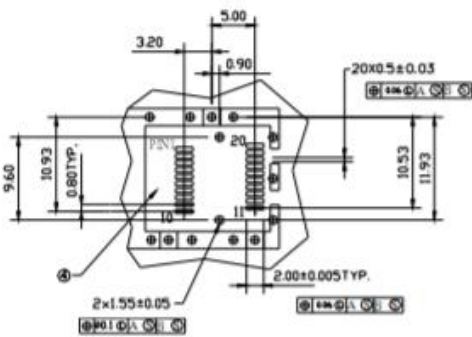
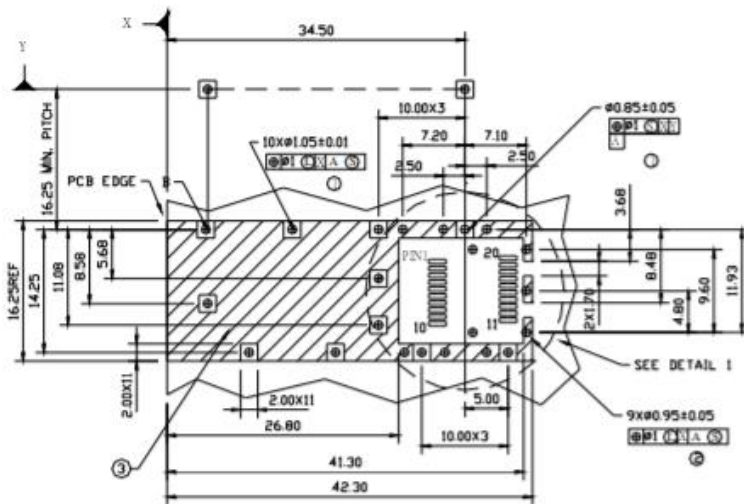
**TX\_DISABLE** - The TX\_DISABLE signal is high (TTL logic "1") to turn off the laser output.

**Receive Loss (RX\_LOS)** - The RX\_LOS is high (logic "1") when there is no incoming light from the companion transceiver. This signal is normally used by the system for the diagnostic purpose. The signal is operated in TTL level.

**DIMENSIONS (unit: mm)**



**SFP HOST BOARD MECHANICAL LAYOUT (unit: mm)**

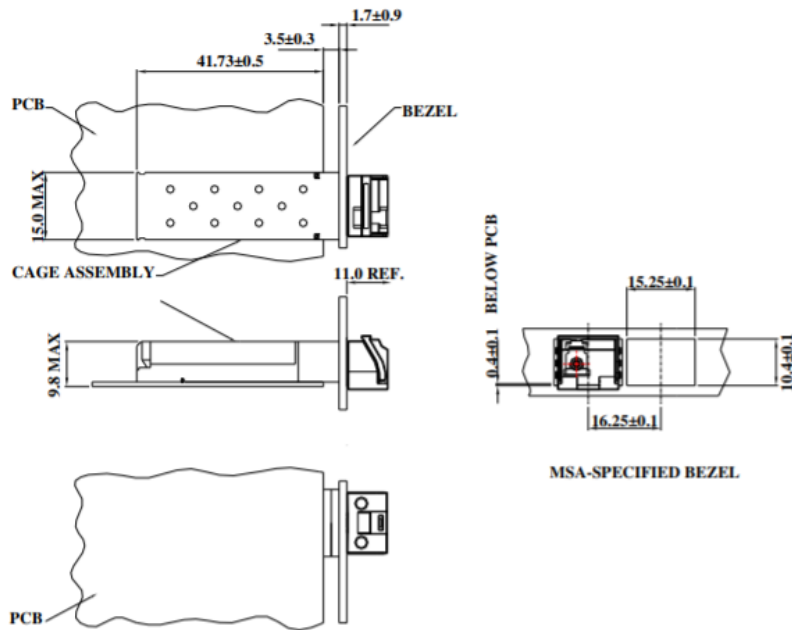


**LEGEND**

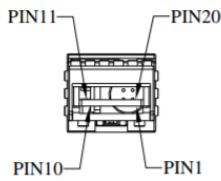
- 1.PADS AND VIAS ARE CHASSIS GROUND
- 2.THROUGH HOLES, PLATING OPTIONAL
- 3.HATCHED AREA DENOTES COMPONENT AND TRACE KEEPOUT(EXCEPT CHASSIS GROUND)
- 4.AREA DENOTES COMPONENT KEEPOUT (TRACES ALLOWED)

DIMENSIONS ARE IN MILLIMETERS

**ASSEMBLY DRAWING (unit: mm)**



**PIN ASSIGNMENT**



Pin	Signal Name	Description
1	<i>T<sub>GND</sub></i>	Transmit Ground
2	<i>TX_FAULT</i>	Transmit Fault
3	<i>TX_DISABLE</i>	Transmit Disable
4	<i>SDA</i>	SDA Serial Data Signal
5	<i>SCL</i>	SCL Serial Clock Signal
6	<i>MOD_ABS</i>	Internal connected to ground
7	<i>RS0</i>	Rate select 0, not used
8	<i>RX_LOS</i>	Receiver Loss of Signal, LVTTTL High, open collector
9	<i>RS1</i>	Rate select 1, not used
10	<i>R<sub>GND</sub></i>	Receiver Ground
11	<i>R<sub>GND</sub></i>	Receiver Ground
12	<i>RX-</i>	Receive Data Bar, ac coupled
13	<i>RX+</i>	Receive Data, ac coupled
14	<i>R<sub>GND</sub></i>	Receiver Ground
15	<i>V<sub>CCR</sub></i>	Receiver Power Supply
16	<i>V<sub>CCT</sub></i>	Transmitter Power Supply
17	<i>T<sub>GND</sub></i>	Transmitter Ground
18	<i>TX+</i>	Transmit Data, ac coupled
19	<i>TX-</i>	Transmit Data Bar, ac coupled
20	<i>T<sub>GND</sub></i>	Transmitter Ground

**ADDITIONAL NOTES**

- Avoid eye or skin exposure to laser radiations.
- The device is sensitive to electro-static discharge (ESD). The device should be handled with ESD proof tools. To assemble the device on PCB, proper grounding is required to prevent ESD.
- Specifications are subject to change without notice.



**Lasermate Group, Inc.**  
19608 Camino De Rosa  
Walnut, CA 91789 USA  
Tel: (909)718-0999  
Fax: (909)718-0998  
[sales@lasermate.com](mailto:sales@lasermate.com)  
[www.lasermate.com](http://www.lasermate.com)